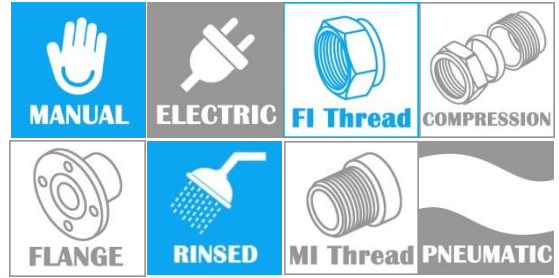
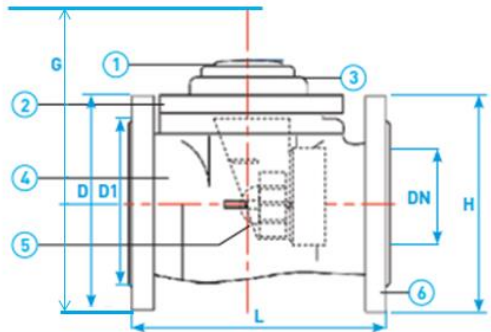


DUCTILE IRON WOLTMAN DRY DIAL COLD WATER METER

COMPLY WITH AS/NZS 4020
SS 375:2015



PUB general requirements for private water meter,
1.Colour ---Grey.
2.Information on the lid--
(a) Water meter usage monitoring purpose
(b) Date of installation and
(c) Remark.



SIDE VIEW

COMPONENT PARTS

ITEM	PARTS	MATERIAL
1	Lid	Plastic
2	Sealed Register	ABS
3	Sealing Ring	Plastic
4	Body	Cast Iron
5	Impeller	Plastic
6	Flange	Cast Iron

STANDARD SPECIFICATIONS

Water Temperature	≤ 40°C
Operating Pressure	≤ 1.6Mpa

FLOW RATE SPECIFICATIONS

SKU	Q max Maximum flow rate [m ³ /h]	Q n Nominal flow rate [m ³ /h]	Qt Transitional flow rate [m ³ /h]	Q min Minimum flow rate [m ³ /h]
WMN065F-WP	50	25	5	0.75
WMN080F-WP	80	40	8	1.20
WMN100F-WP	120	60	12	1.80
WMN150F-WP	300	150	30	4.50
WMN200F-WP	500	250	50	7.50
WMN300F-WP	1200	600	120	18
WMN350F-WP	1600	800	160	24
WMN400F-WP	2000	1000	200	30
WMN500F-WP	3000	1500	300	45

DIMENSIONS

SKU	SIZE (mm)	L (mm)	H (mm)	G (mm)	CONNECTING FLANGE		Bolt Tightening Torque	WEIGHT (kg)	PCS/CTN
					D	D1			
WMN065F-WP	65	200	262	360	185	145	70	13.0	1
WMN080F-WP	80	225	272	360	200	160	70	14.4	1
WMN100F-WP	100	250	282	360	220	180	80	17.5	1
WMN150F-WP	150	300	341	420	285	240	120	38.0	1
WMN200F-WP	200	400	340	500	340	295	115	42.1	1
WMN300F-WP	300	500	516	730	460	410	180	128	1
WMN350F-WP	350	500	560	730	520	470	175	170	1
WMN400F-WP	400	600	647	830	580	525	220	213	1
WMN500F-WP	500	800	785	930	715	650	270	370	1

- *1] Ensure water meter is installed in the correct water flow direction.
- 2] Always ensure to select the correct size and spec for the meter.
- 3] This meters can be installed in the horizontal, vertical and inclined position.
- 4] The height "G" is necessary for removing the measuring element.