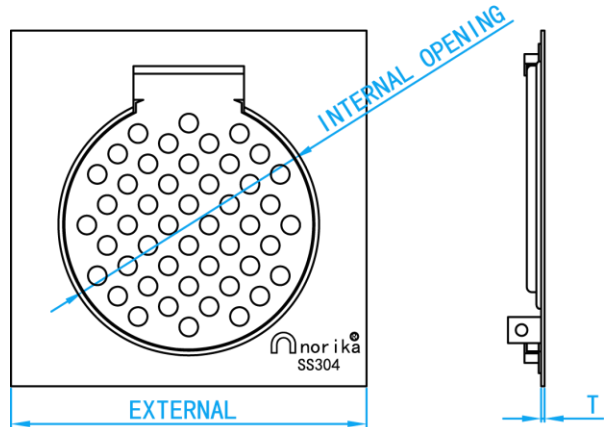
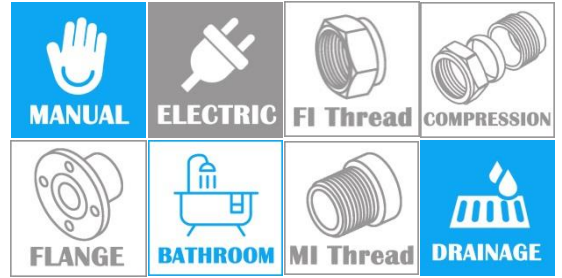


STAINLESS STEEL AISI304 & AISI316 SQUARE GRATINGS

COMPLY WITH SS213:1998

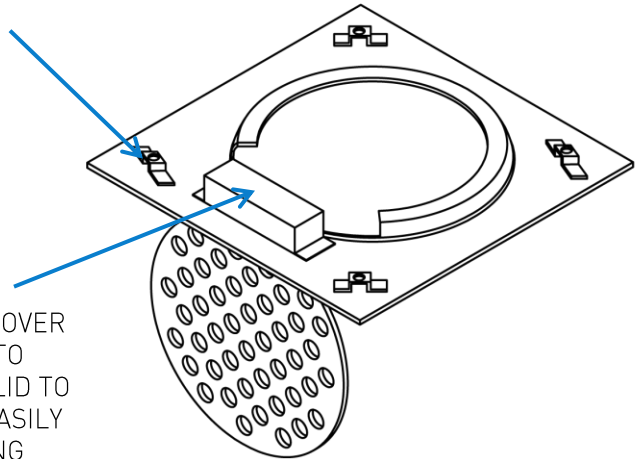
NORMAL



TOP VIEW

SIDE VIEW

GRIPS ARE ADDED TO HOLD ONTO THE CEMENT AND PREVENT GRATING FROM SLIPPING OFF



ADDITIONAL COVER IS DESIGNED TO ENABLE THE LID TO BE OPENED EASILY BY PREVENTING CEMENT FROM SEEPING IN

3D VIEW

DIMENSIONS

SKU	MATERIAL	SURFACE	INTERNAL OPENING(mm)	T (mm)	EXTERNAL (mm)	WEIGHT (kg)	PCS/CTN
SSGN100HL	AISI304	HAIRLINE	69	1.5	100X100	0.120	100
SSGN100HL316	AISI316			1.5		0.120	100
SSGN150HL	AISI304	HAIRLINE	110	1.5	150X150	0.298	40
SSGN150HL316	AISI316			1.5		0.310	40
SSGN150	AISI304	MIRROR		1.5		0.305	40