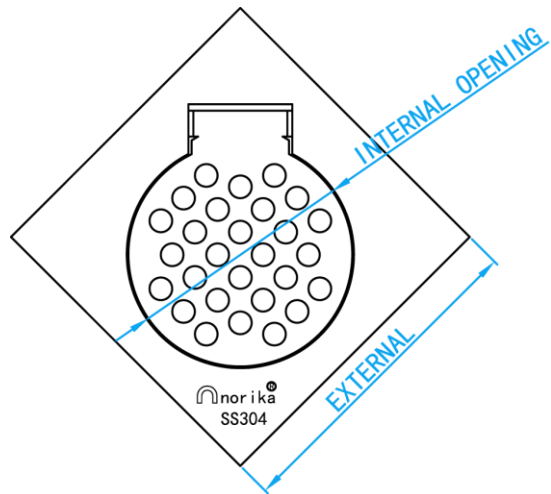
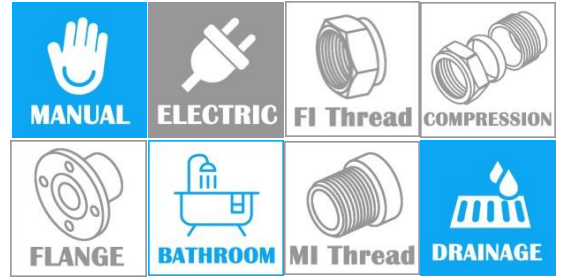


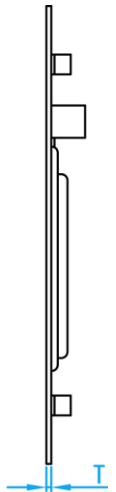
# STAINLESS STEEL AISI304L & AISI316L SQUARE GRATINGS

COMPLY WITH SS213:1998

ANGLE

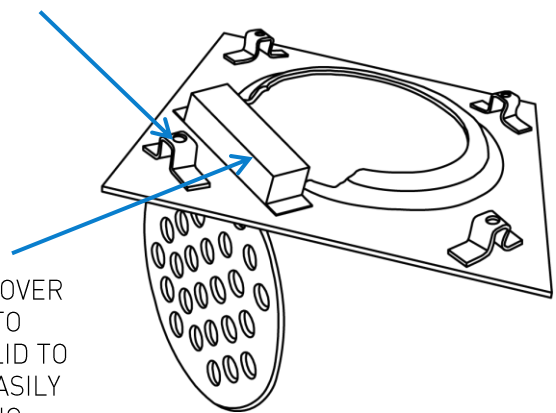


TOP VIEW



SIDE VIEW

GRIPS ARE ADDED TO HOLD ONTO THE CEMENT AND PREVENT GRATING FROM SLIPPING OFF.



3D VIEW

ADDITIONAL COVER IS DESIGNED TO ENABLE THE LID TO BE OPENED EASILY BY PREVENTING CEMENT FROM SEEPING IN

## DIMENSIONS

SKU	MATERIAL	SURFACE	INTERNAL OPENING (mm)	T (mm)	EXTERNAL (mm)	WEIGHT (kg)	PCS/CTN
SSGN100HLA	AISI304L	HAIRLINE	69	1.5	100X100	0.131	100
SSGN150HLA	AISI304L	HAIRLINE	90	1.5	150X150	0.299	40