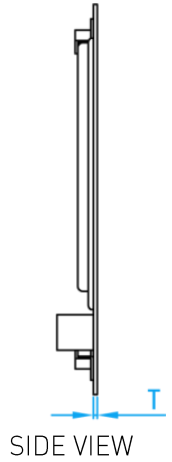
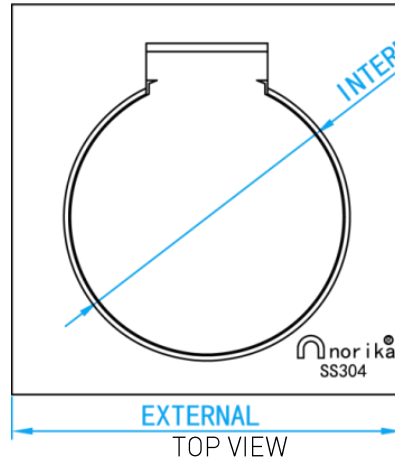
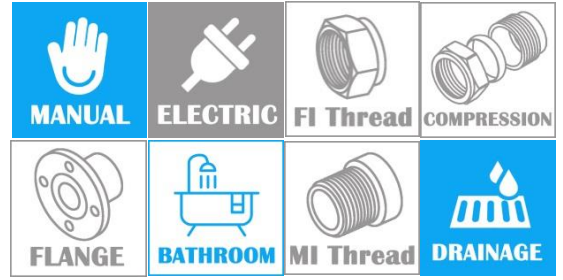


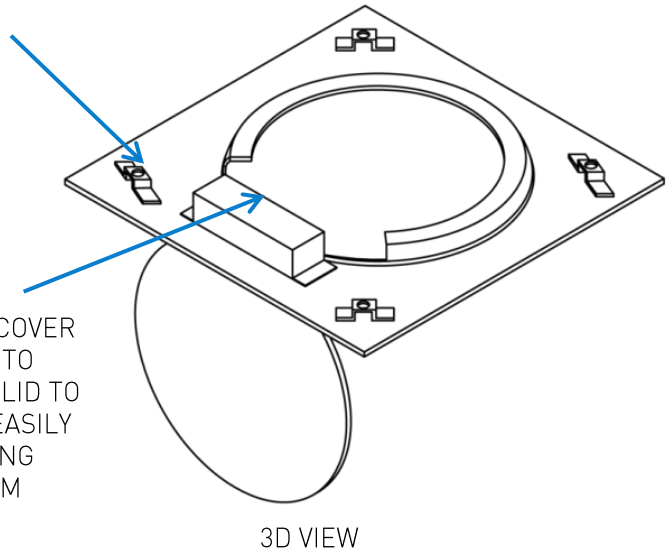
STAINLESS STEEL AISI304 & AISI316 SQUARE GRATINGS

COMPLY WITH SS213:1998

NO HOLE



GRIPS ARE ADDED TO HOLD ONTO THE CEMENT AND PREVENT GRATING FROM SLIPPING OFF.



ADDITIONAL COVER IS DESIGNED TO ENABLE THE LID TO BE OPENED EASILY BY PREVENTING CEMENT FROM SEEPING IN

DIMENSIONS

SKU	MATERIAL	SURFACE	INTERNAL OPENING (mm)	T (mm)	EXTERNAL (mm)	WEIGHT (kg)	PCS/CTN
SSGN100HLNH	AISI304	HAIRLINE	69	1.5	100X100	0.18	100
SSGN150HLNH	AISI304	HAIRLINE	90	1.5	150X150	0.30	40
SSGN150HLNH316	AISI316	HAIRLINE	90	1.5	150X150	0.30	40