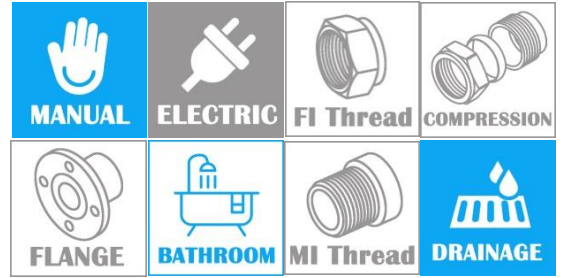
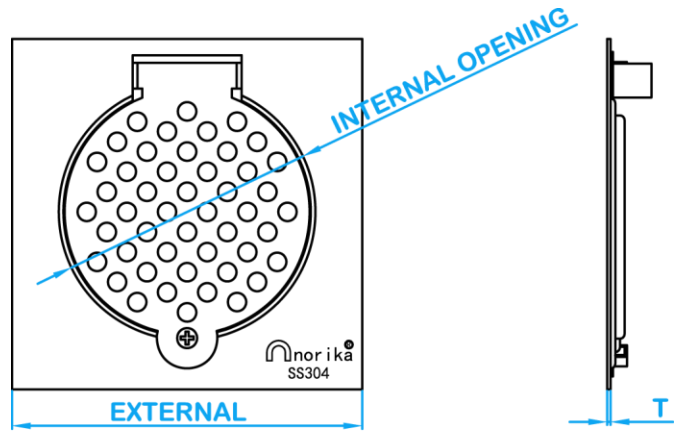


# STAINLESS STEEL AISI304L & AISI316L SQUARE GRATINGS



COMPLY WITH SS213:1998

WITH LOCK

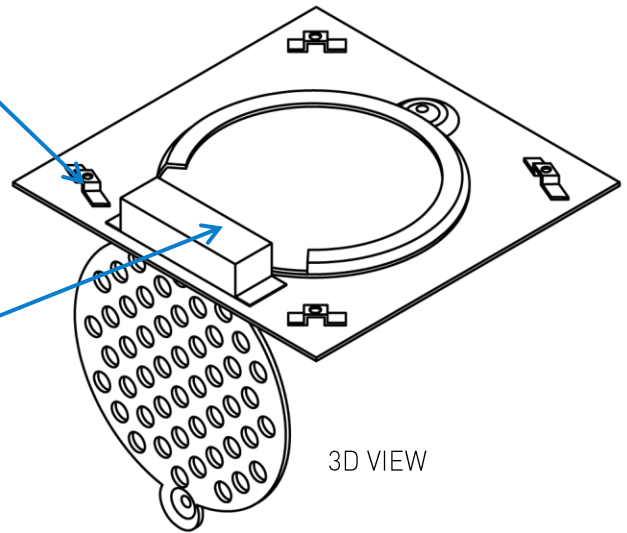


TOP VIEW

SIDE VIEW

GRIPS ARE ADDED TO HOLD ONTO THE CEMENT AND PREVENT GRATING FROM SLIPPING OFF.

ADDITIONAL COVER IS DESIGNED TO ENABLE THE LID TO BE OPENED EASILY BY PREVENTING CEMENT FROM SEEPING IN



3D VIEW

## DIMENSIONS

SKU	MATERIAL	SURFACE	INTERNAL OPENING(mm)	T (mm)	EXTERNAL (mm)	WEIGHT (kg)	PCS/CTN
SSGN100HLWL	AISI304L	HAIRLINE	70	1.5X2.0	100X100	0.120	100
SSGN150HLWL	AISI304L			1.5X1.5			0.310
SSGN150HLWL316	AISI316L		110	1.5X1.5	150X150	0.310	40
SSGN150HLWLHD	AISI304L			3X3			0.520
SSGN200HLWL	AISI304L		130	1.5X1.5	200X200	0.514	25