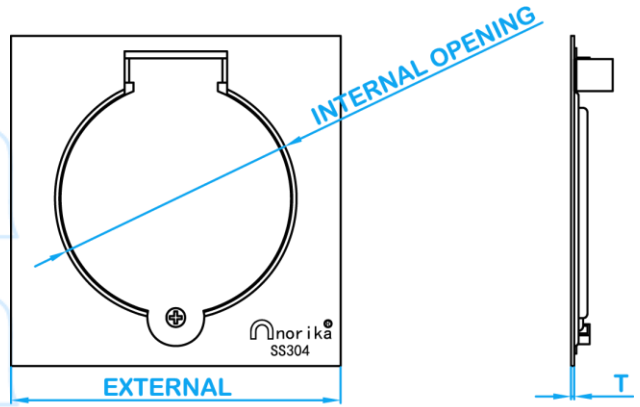


# STAINLESS STEEL AISI304/316 SQUARE GRATINGS

COMPLY WITH SS213:1998

## NO HOLE WITH LOCK

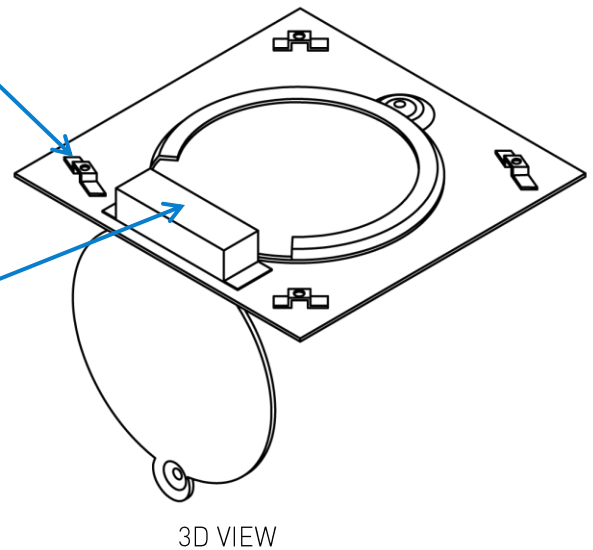


TOP VIEW

SIDE VIEW

GRIPS ARE ADDED TO HOLD ONTO THE CEMENT AND PREVENT GRATING FROM SLIPPING OFF.

ADDITIONAL COVER IS DESIGNED TO ENABLE THE LID TO BE OPENED EASILY BY PREVENTING CEMENT FROM SEEPING IN



### DIMENSIONS

STOCK CODE	MATERIAL	SURFACE	INTERNAL OPENING (mm)	T (mm)	EXTERNAL (mm)	WEIGHT (kg)
SSGN150HLNHWL	AISI304	HAIRLINE	110	1.5	150X150	0.31
SSGN150HLNHWL316	AISI316			1.5		0.31
SSGN150HLNHHDWL316	AISI316			3		0.52
SSGN150HLNHHDWL	AISI304			3		0.52