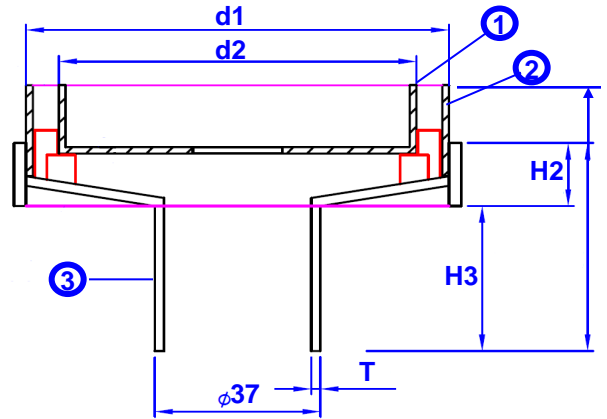
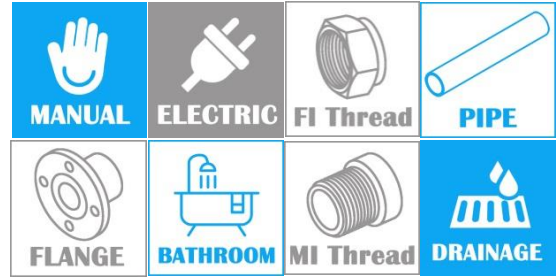


AISI304 DECORATIVE SMARTDRAIN

COMPLY WITH SS213 :1998



CROSS SECTIONAL VIEW

CHARACTERISTIC	
Main Function	Drainage
Surface Treatment	Hairline
Applications	For permanent residence, hotel, apartments, villas, office buildings and various public buildings.

COMPONENT PARTS		
ITEM	PARTS	MATERIAL
1	Tray	AISI304
2	Frame	AISI304
3	Base	uPVC (Black)

DIMENSIONS								
SKU	d1 (mm)	d2 (mm)	H1 (mm)	H2 (mm)	H3 (mm)	T (mm)	WEIGHT (kg)	PCS/CTN
SMARTDRAIN10040TN	94.5	80	64	15.2	35	2	0.256	20
SMARTDRAIN10040MN	94.5	80	74.2	15.2	35	2	0.329	20