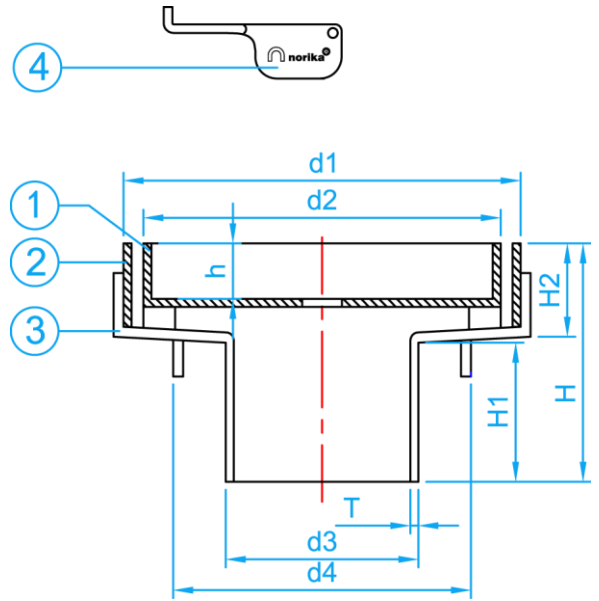
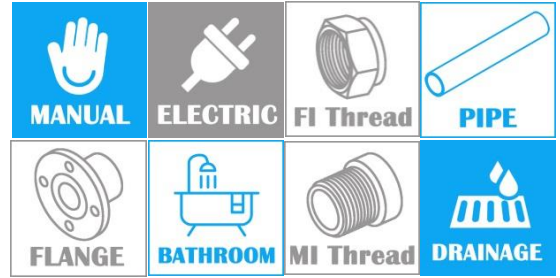


AISI304 DECORATIVE SMARTDRAIN

COMPLY WITH SS213 :1998



CROSS SECTIONAL VIEW

CHARACTERISTIC	
Main Function	Drainage
Surface Treatment	Hairline
Applications	Sleek and modern smartdrain for use in residential, hotels, apartments, office buildings. HDB. Villas

COMPONENT PARTS		
ITEM	PARTS	MATERIAL
1	Tray	AISI304
2	Frame	AISI304
3	Base	UPVC (Black)
4	Key	Nylon

DIMENSIONS

SKU	d1 (mm)	d2 (mm)	d3 (mm)	d4 (mm)	H (mm)	H1 (mm)	H2 (mm)	h (mm)	T (mm)	WEIGHT (kg)	PCS/CTN
SMARTDRAIN10050T	100	88	48.5	75	62	35	25	15.5	2	0.270	20
SMARTDRAIN10050M					72		35	25.5			