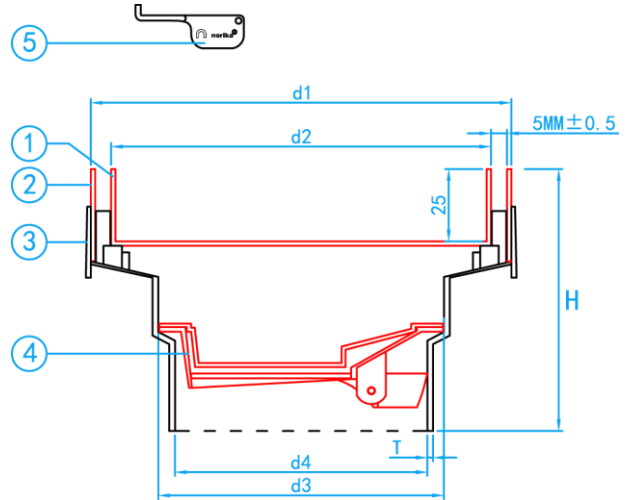
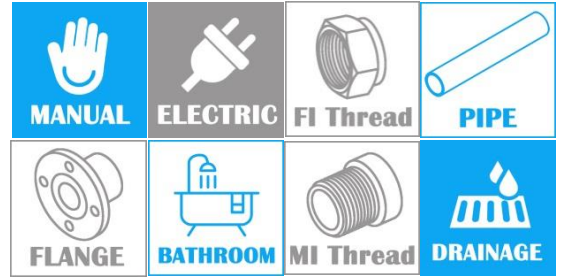


AISI304 DECORATIVE SMARTDRAIN

COMPLY WITH SS213:1998



CROSS SECTIONAL VIEW

CHARACTERISTIC	
Main function	Drainage, sealing
Surface treatment	Hairline
Applications	For permanent residence, hotel, apartments, villas, office buildings and various public buildings

COMPONENT PARTS		
ITEM	PARTS	MATERIAL
1	Tray	AISI304
2	Frame	AISI304
3	Base	UPVC
4	Filter	UPVC (213MTNB)
5	Key	Nylon

DIMENSIONS								
SKU	d1 (mm)	d2 (mm)	d3 (mm)	d4 (mm)	T (mm)	H (mm)	WEIGHT (Kg)	PCS/CTN
SMARTDRAIN150M	143.5	131	98.5	87	2	82	0.65	20
SMARTDRAIN150T	143.5	131	98.5	87	2	72	0.55	20