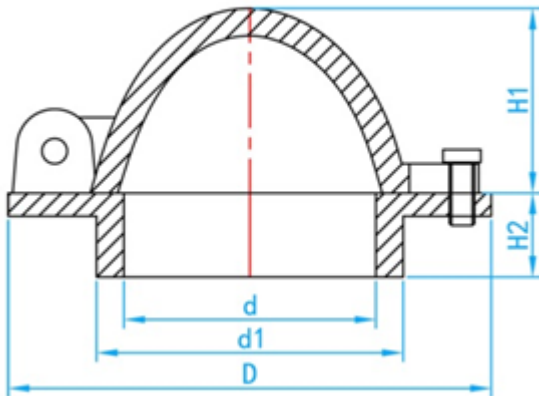
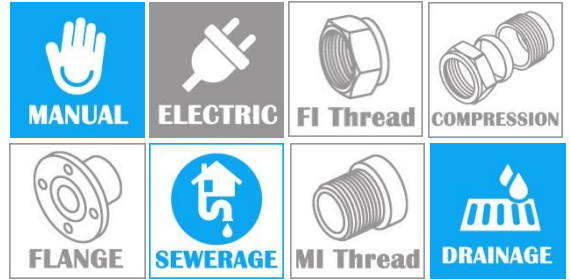
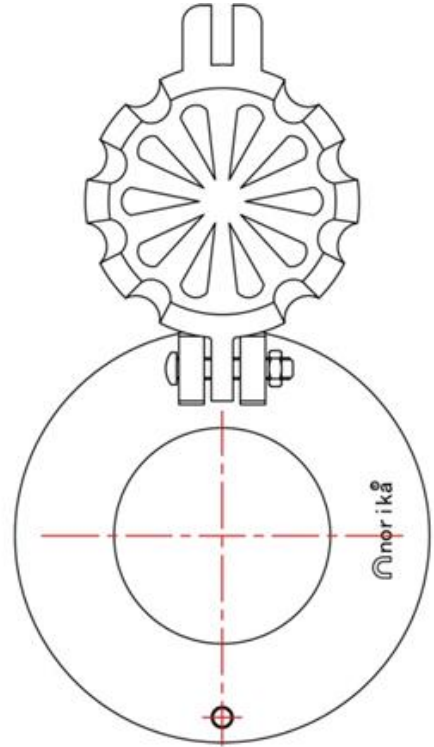


DUCTILE IRON DOME GRATING



CROSS SECTIONAL VIEW



TOP VIEW

STANDARD SPECIFICATIONS

STOCK CODE	SIZE (mm)	H1 (mm)	H2 (mm)	d (mm)	d1 (mm)	D (mm)	WEIGHT (kg)
DIDG080	80	44	20	60	73	115	0.785
DIDG100	100	60	21	80	100	150	1.350
DIDG150	150	70	60	128	150	195	3.500