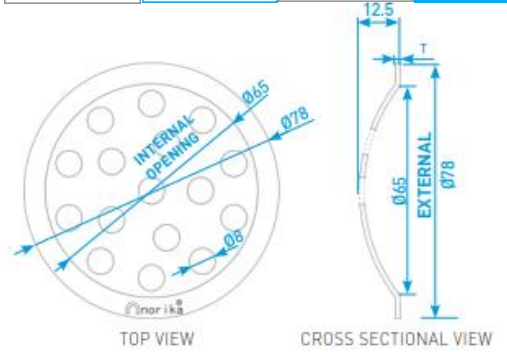


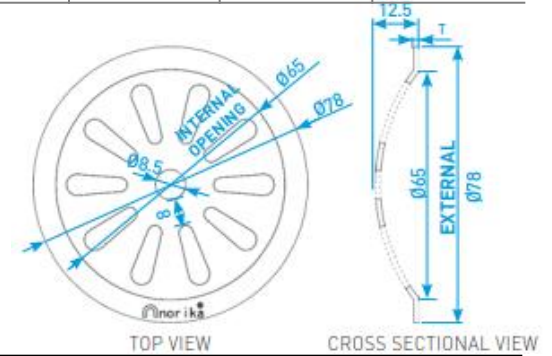
# AISI304 DOME GRATING

<b>MANUAL</b>	<b>ELECTRIC</b>	<b>FI Thread</b>	<b>COMPRESSION</b>
<b>FLANGE</b>	<b>BATHROOM</b>	<b>MI Thread</b>	<b>DRAINAGE</b>



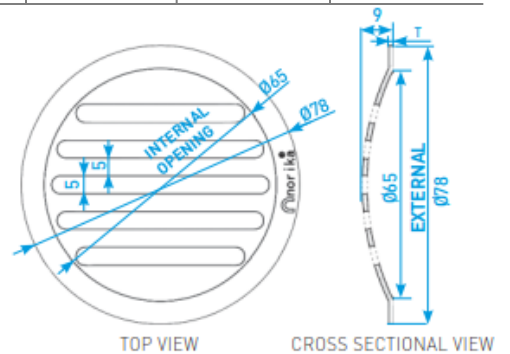
STANDARD SPECIFICATIONS

SKU	MATERIAL	SURFACE	INTERNAL OPENING(mm)	T (mm)	EXTERNAL (mm)	WEIGHT (kg)	PCS/CTN
SSDGN080HL	AISI304	Hairline	65	1.5	78	0.045	400



STANDARD SPECIFICATIONS

SKU	MATERIAL	SURFACE	INTERNAL OPENING(mm)	T (mm)	EXTERNAL (mm)	WEIGHT (kg)	PCS/CTN
SSDGN080HLA	AISI304	Hairline	65	1.5	78	0.040	400



STANDARD SPECIFICATIONS

SKU	MATERIAL	SURFACE	INTERNAL OPENING(mm)	T (mm)	EXTERNAL (mm)	WEIGHT (kg)	PCS/CTN
SSDGN080HLEB	AISI304	Hairline	65	1.5	78	0.045	400