


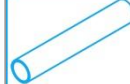




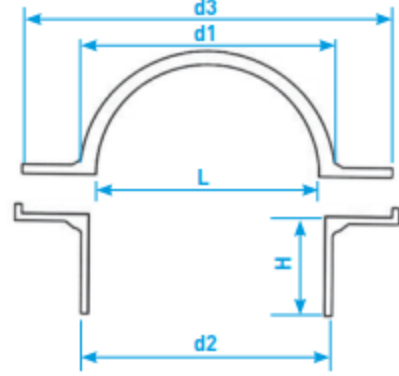


NICKEL BRONZE ROOF DRAIN

 MANUAL	 ELECTRIC	 FI Thread	 PIPE
 FLANGE	 BATHROOM	 MI Thread	 DRAINAGE



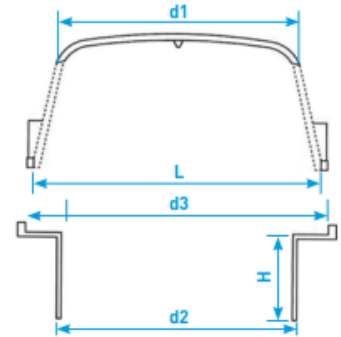
CROSS SECTIONAL VIEW

COMPONENT PARTS

PARTS	MATERIAL
Drain	Bronze

STANDARD SPECIFICATIONS

SKU	MATERIAL	SIZE (mm)	d1 (mm)	d2 (mm)	d3 (mm)	H (mm)	L (mm)	WEIGHT (kg)
BRDN100	Bronze	100	103	102	150.5	40.8	90.5	1.39



CROSS SECTIONAL VIEW

COMPONENT PARTS

PARTS	MATERIAL
Drain	Bronze

STANDARD SPECIFICATIONS

SKU	MATERIAL	SIZE (mm)	d1 (mm)	d2 (mm)	d3 (mm)	H (mm)	L (mm)	WEIGHT (kg)
BRDN150	Bronze	150	152.4	150.5	190	54	180	2.10