







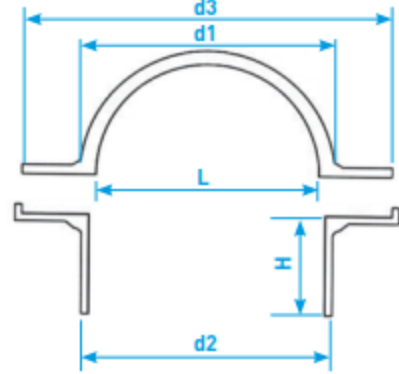


BRASS ROOF DRAIN

| | | | |
|----------------------------------------------------------------------------------------------------|--------------------------------------------------------------------------------------------------------|---------------------------------------------------------------------------------------------------------|--------------------------------------------------------------------------------------------------------|
|  MANUAL |  ELECTRIC |  FI Thread |  PIPE |
|  FLANGE |  BATHROOM |  MI Thread |  DRAINAGE |



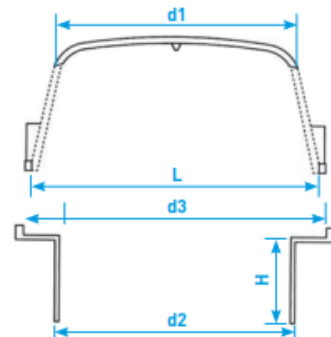
CROSS SECTIONAL VIEW

COMPONENT PARTS

| PARTS | MATERIAL |
|-------|----------|
| Drain | Brass |

STANDARD SPECIFICATIONS

| SKU | SIZE (mm) | d1 (mm) | d2 (mm) | d3 (mm) | H (mm) | L (mm) | WEIGHT (kg) |
|---------|-----------|---------|---------|---------|--------|--------|-------------|
| BRDN100 | 100 | 103 | 102 | 150.5 | 40.8 | 90.5 | 1.39 |



CROSS SECTIONAL VIEW

COMPONENT PARTS

| PARTS | MATERIAL |
|-------|----------|
| Drain | Brass |

STANDARD SPECIFICATIONS

| SKU | SIZE (mm) | d1 (mm) | d2 (mm) | d3 (mm) | H (mm) | L (mm) | WEIGHT (kg) |
|---------|-----------|---------|---------|---------|--------|--------|-------------|
| BRDN150 | 150 | 152.4 | 150.5 | 190 | 54 | 180 | 2.10 |