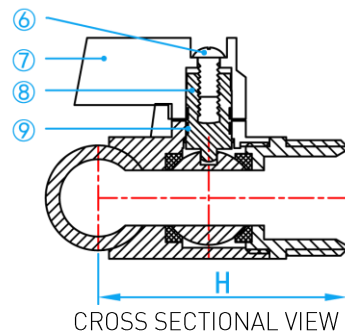
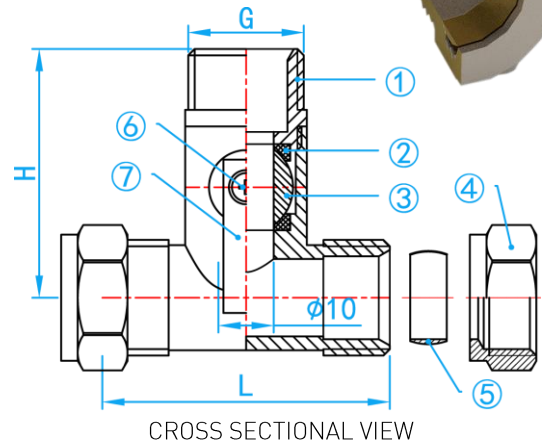
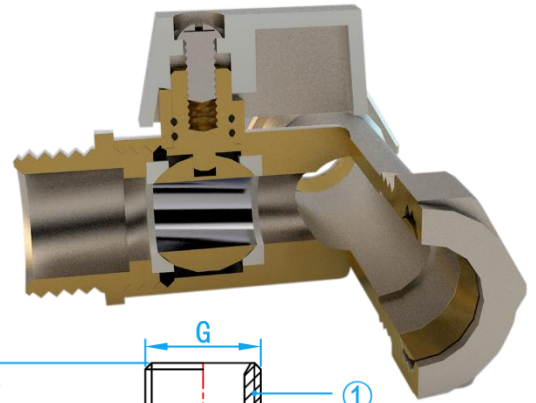
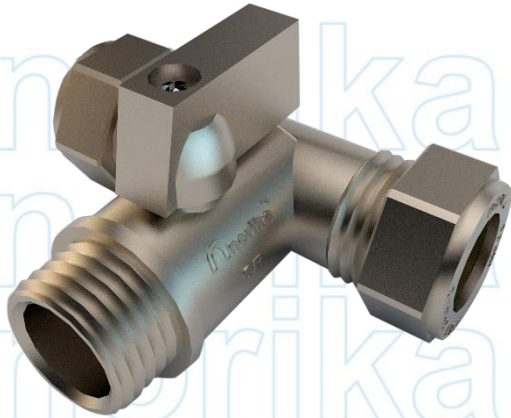


[CXC] TEE OFF MINI BALL VALVE [NICKEL PLATED]

COMPLY WITH BSEN13828:2003
AS/NZS4020:2005
SS375:2015



COMPONENT PARTS

ITEM	PARTS	MATERIAL
1	Body	Chrome-plated DZR Brass
2	Seat	PTFE
3	Ball	Chrome-plated DZR Brass
4	Nut	Chrome-plated Brass
5	Ring	Brass
6	Screw	AISI304
7	Handle	Zinc Alloy
8	Stem	DZR Brass
9	O-ring	NBR

STANDARD SPECIFICATION

Working Pressure	200Psi
Applicable Medium	Water

DIMENSIONS

SKU	SIZE [mm]	H [mm]	G [inch]	L [mm]	WEIGHT [kg]	PCS/CTN
MBVCRN015T0	15×15×1/2"	45	1/2" BSP	52	0.171	100