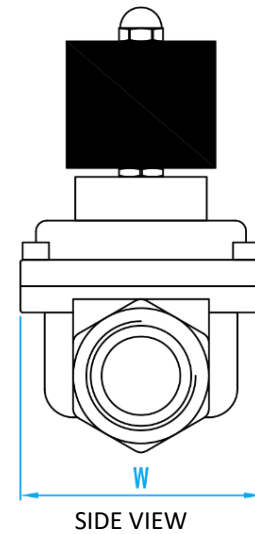
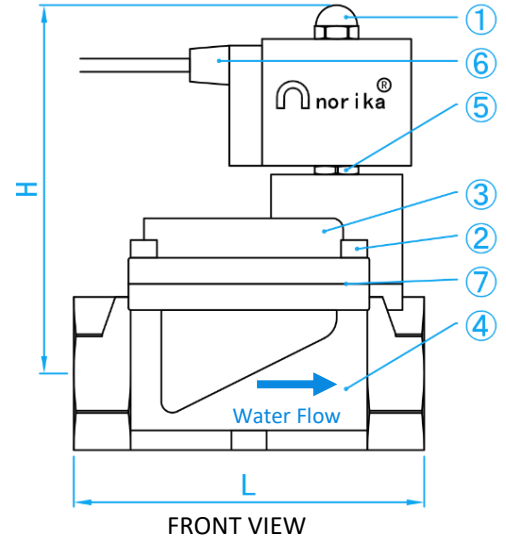


2/2 WAY STAINLESS STEEL 304 PILOT PISTON TYPE FLUID SOLENOID VALVE (NORMALLY CLOSED IP67)

COMPLY WITH BS EN 12288



* Note: Normally closed when powered off.

STANDARD SPECIFICATIONS

Nominal Pressure	0.5-16 Bar
Voltage Rating	240V AC, 24V AC, 24V DC
Rated Power	22W
Medium	Fluids With Viscosity below 50CST
Operating Temperature	-5°C ~ 120°C
Waterproof Grade	IP67

DIMENSIONS

SKU	DIN (mm)	L (mm)	W (mm)	H (mm)	WEIGHT (kg)	PCS/CTN
SVSSN015 IP67	15	69	48.5	110	0.950	25
SVSSN020 IP67	20	79	55.5	118	1.133	25
SVSSN025 IP67	25	96	70.0	124	1.600	20
SVSSN035 IP67	35	109	70.0	128	1.800	10
SVSSN042 IP67	42	128	95.0	139	2.900	10
SVSSN050 IP67	50	150	100.0	148	4.000	6

COMPONENT PARTS

ITEM	PARTS	MATERIAL
1.	Nut & Washer	AISI304
2.	Bolt	AISI304
3.	Valve Bonnet	AISI304
4.	Valve Body	AISI304
5.	Spring Plunger	AISI304
6.	DIN Box	BMC
7.	O-Ring	FKM

*The solenoid valves are only suitable to be installed in the horizontal position.