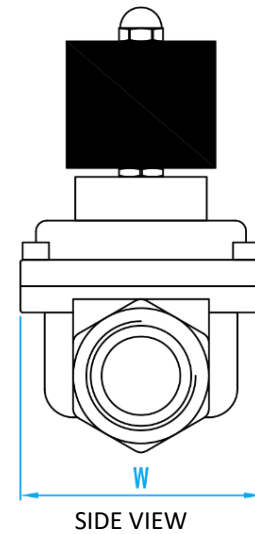
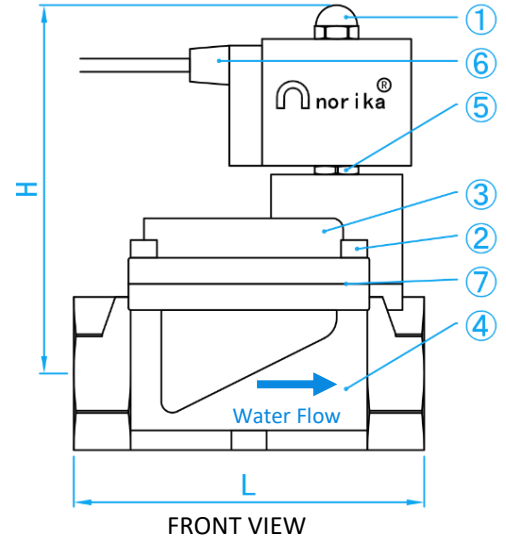


2/2 WAY STAINLESS STEEL 304 PILOT PISTON TYPE FLUID SOLENOID VALVE [NORMALLY OPENED IP67]

COMPLY WITH BS EN 12288



* Note: Normally opened when powered off.

STANDARD SPECIFICATIONS	
Nominal Pressure	0 ~ 8 Bar
Voltage Rating	240V AC, 24V AC, 24V DC
Rated Power	Size: 15 ~ 25mm : 22W 35 ~ 50mm : 40W
Medium	Fluids With Viscosity below 50CST
Operating Temperature	-5°C ≤ t ≤ 120 °C
Waterproof Grade	IP67

DIMENSIONS						
SKU	SIZE (mm)	L (mm)	W (mm)	H (mm)	WEIGHT (kg)	PCS/CTN
SVSSN015NO IP67	15	68	27	138	0.81	25
SVSSN020NO IP67	20	71	32	144	0.91	25
SVSSN025NO IP67	25	98	40	151	1.31	20
SVSSN035NO IP67	35	115	48	202	2.07	10
SVSSN042NO IP67	42	122	56	217	2.53	10
SVSSN050NO IP67	50	166	66	237	4.35	6

COMPONENT PARTS		
ITEM	PARTS	MATERIAL
1	Nut	AISI304
2	Bolt	AISI304
3	Valve Bonnet	AISI304
4	Valve Body	AISI304
5	Spring Plunger	AISI304
6	DIN Box	BMC
7	O-ring	EPDM