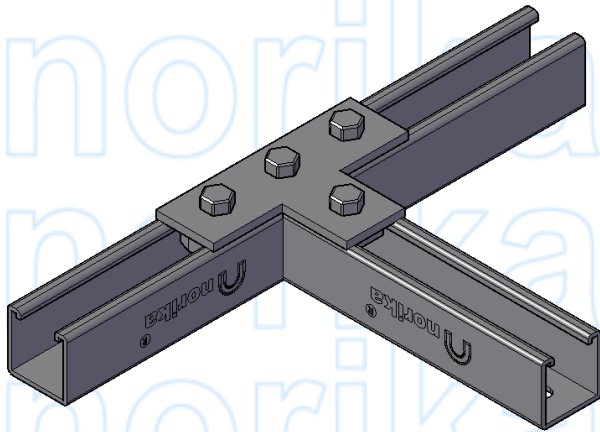
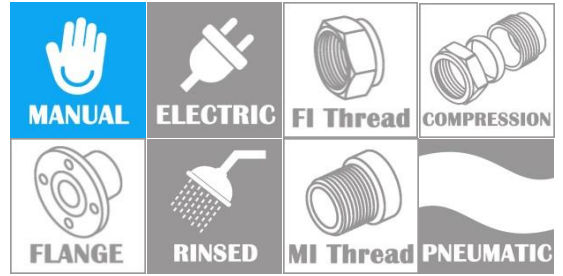
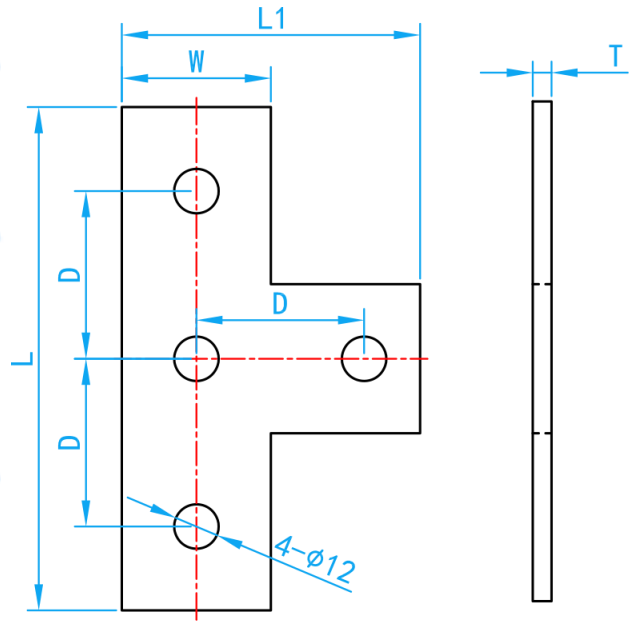


# UNISTRUT 4 HOLE T FLAT SLOTTED SPLICE PLATE



INSTALLATION ASSEMBLY



TOP VIEW

SECTION VIEW

COMPONENT PARTS

MATERIAL	Mild Steel
COATING	Cold Galvanized

DIMENSIONS

SKU	L (mm)	L1 (mm)	W (mm)	T (mm)	D (mm)	WEIGHT (kg)	PCS/CTN
OLSBT1031	135	80	40	4.7	45	0.225±10	60