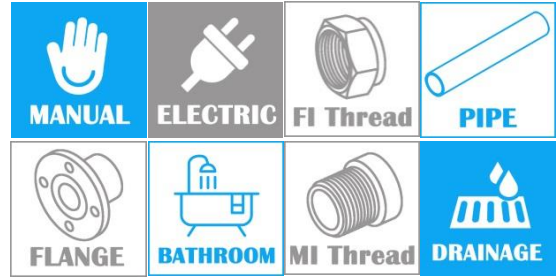
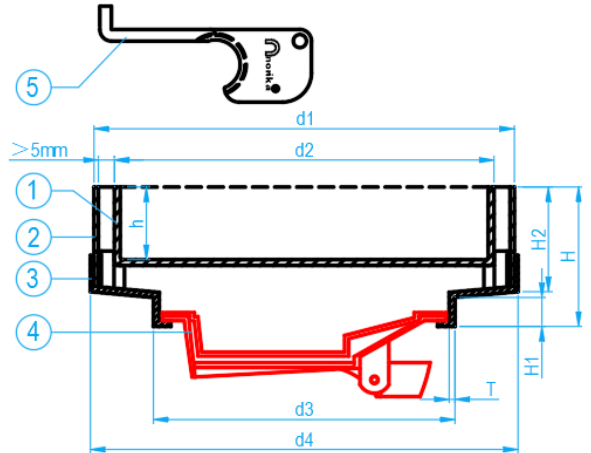


STAINLESS STEEL DECORATIVE SMARTDRAIN

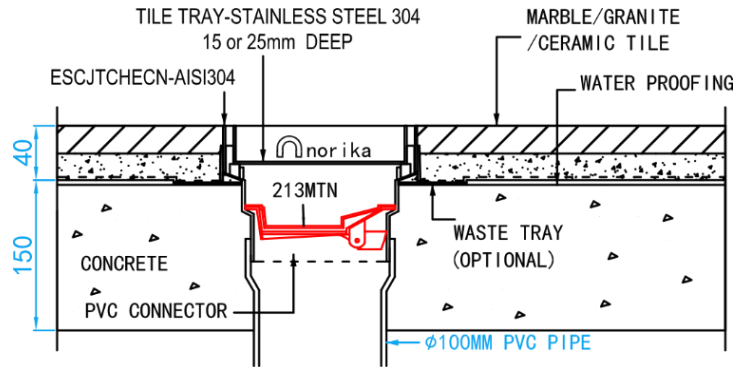
COMPLY WITH SS213:1998



INSTALLATION EFFECT



CROSS SECTIONAL VIEW



* AISI316L material is available upon request.

CHARACTERISTIC	
Main function	Drainage, sealing
Surface treatment	Hairline
Applications	Sleek and modern smartdrain for use in residential, hotels, apartments, office buildings. Villas

COMPONENT PARTS		
ITEM	PARTS	MATERIAL
1	Tray	AISI304L
2	Frame	AISI304L
3	Base	UPVC
4	Filter	UPVC (213MTNB)
5	Key	Nylon

DIMENSIONS

SKU	d1 (mm)	d2 (mm)	d3 (mm)	d4 (mm)	H (mm)	H1 (mm)	H2 (mm)	h (mm)	T (mm)	WEIGHT (Kg)	PCS/CTN
SMARTDRAIN125T	128	114	103	133	38	10	25	15.5	2	0.500	20
SMARTDRAIN125M					48		35	25.5		0.600	20