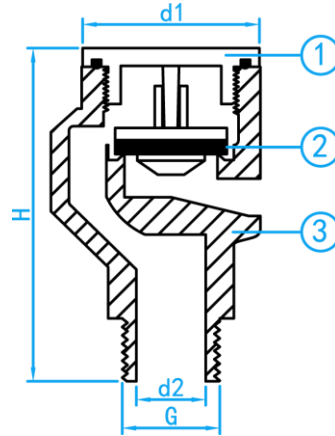
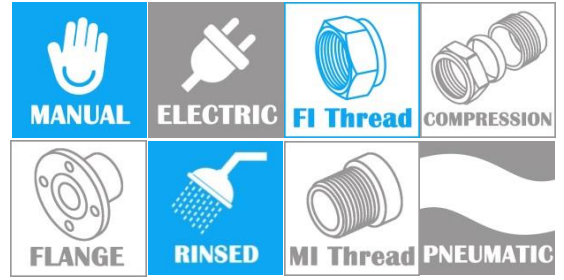


ANTI-VACUUM VALVE

COMPLY WITH BS6282:PART2:1982



CROSS SECTIONAL VIEW

SPECIFICATION	
Hydraulic Test Pressure	175 PSI
Working Pressure	14 PSI to 72 PSI
Operating Temperature	30 °C

COMPONENT PARTS		
ITEM	PARTS	MATERIAL
1	Pin	Brass
2	Seal	EDPM
3	Body	Bronze

DIMENSIONS							
SKU	SIZE (mm)	d1 (mm)	d2 (mm)	G (mm)	H (mm)	WEIGHT(kg)	PCS/CTN
VBN15	15	38.4	14.9	1/2" BSP	67.5	0.367	50