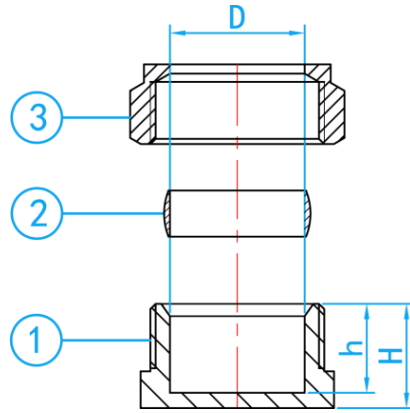


COMPRESSION STOP END

COMPLY WITH BSEN1254-2:1998



SECTION VIEW

COMPONENT PARTS

ITEM	PARTS	MATERIAL
1	Body	CR Brass
2	Ring	Brass
3	Nut	Brass

DIMENSIONS

SKU	D (mm)	H (mm)	h (mm)	WEIGHT (kg)	PCS/CTN
CRSE015	15	14.3	10	0.050	500
CRSE020	22	14.0	15	0.086	300
CRSE025	28	17.0	18	0.135	150
CRSE035	35	20.5	18	0.190	100
CRSE042	42	21.3	20	0.270	80
CRSE050	54	20.5	24.5	0.430	40