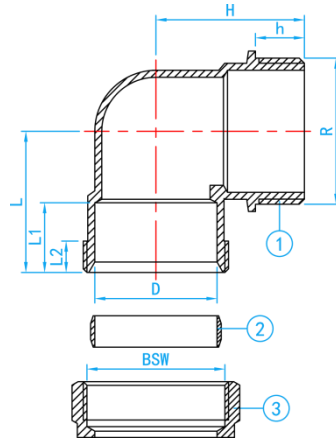


# COMPRESSION MI ELBOW

COMPLY WITH BSEN1254-2:1998



SECTION VIEW

**COMPONENT PARTS**

ITEM	PARTS	MATERIAL
1	Body	CR Brass
2	Ring	Brass
3	Nut	Brass

**DIMENSIONS**

SKU	D (mm)	BSW	R (inch)	H (mm)	h (mm)	L (mm)	L1 (mm)	L2 (mm)	WEIGHT (kg)	PCS/CTN
CRCMIE015	15	G1/2"	1/2"BSPT	25	10.5	23	10	6.5	0.480	360
CRCMIE020	22	1-1/8"	3/4"BSPT	34.6	14	27.6	13	7.5	0.110	160
CRCMIE025	28	1-3/8"	1"BSPT	41.5	16	32.5	17	8.5	0.180	100
CRCMIE035	35	1-5/8"	1-1/4"BSPT	38	11.4	36.8	17.1	11.5	0.296	-
CRCMIE042	42	1-64/67"	1-1/2"BSPT	52	16	45.3	22.6	12	0.443	-
CRCMIE050	54	2-31/64"	2"BSPT	59.7	19	55	22.8	14	0.650	-