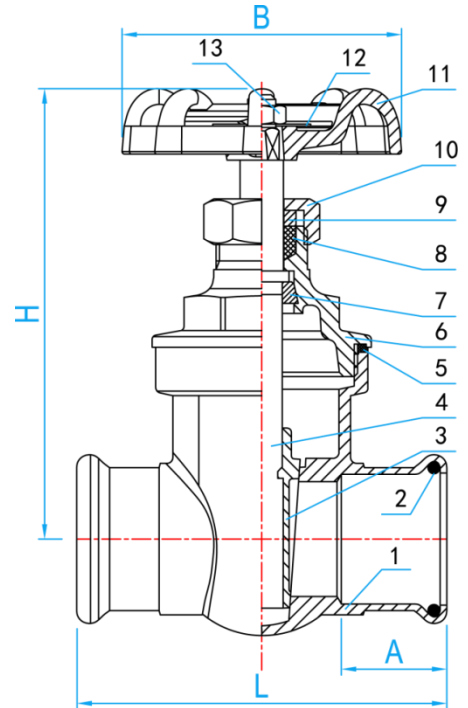
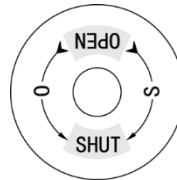


DZR BRASS PRESS FIT GATE VALVE



COMPLY WITH BS5154:1991
 BS EN 12288:2010
 SS375:2015
 SS270:2015
 AS/NZS4020:2018
 BSEN12165:2016



12. Directional Plate

CROSS SECTIONAL VIEW

COMPONENT PARTS

ITEMS	PARTS	MATERIAL
1	Body	DZR Brass
2	O-Ring	EPDM
3	Disk	DZR Brass
4	Stem	DZR Brass
5	Gasket	PTFE
6	Bonnet	DZR Brass
7	Lock Cap	Brass
8	Gland Packing	PTFE
9	Gland	Brass
10	Nut	Brass
11	Hand Wheel	Cast Iron
12	Directional Plate	Aluminum Plate
13	Wheel Nut	Brass

STANDARD SPECIFICATIONS

Working Pressure PN16

DIMENSIONS

SKU	SIZE (mm)	L (mm)	H (mm)	A (mm)	B (mm)	Switch Turns	WEIGHT (kg)	PCS/CTN
GVC RPFN015	15	61.0	73	20	53	4	0.245	80
GVC RPFN020	20	70.0	84	21	53	5.5	0.356	60
GVC RPFN025	25	80.6	98	23	59	7	0.492	40
GVC RPFN035	35	91.5	112	26	72	6	0.743	30
GVC RPFN042	42	100.0	130	30	72	7	1.037	24
GVC RPFN050	50	117.0	160	35	85	9	1.670	12
GVC RPFN065	65	158.0	194	50	110	11	2.930	6
GVC RPFN080	80	180.0	230	55	145	13	4.870	4