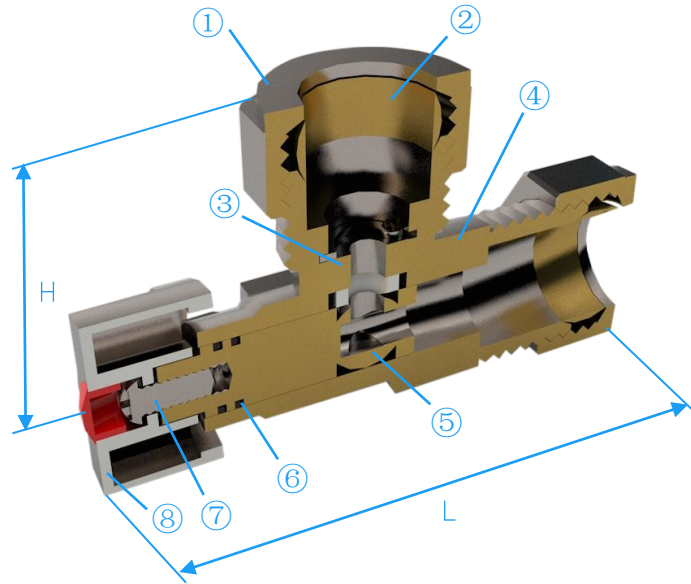
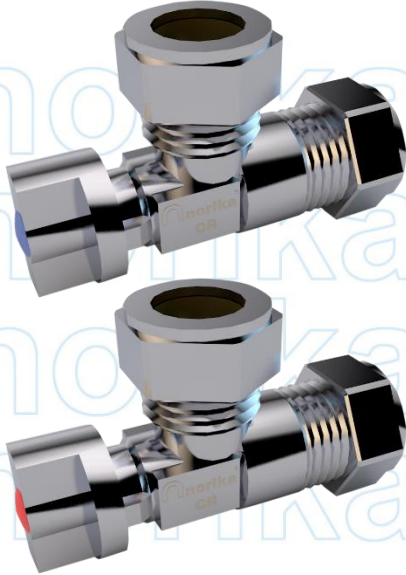


CHROME PLATED BRASS CR ANGLE BALL VALVE

COMPLY WITH BS EN13828:2003
 BS EN12165: 2016
 AZ/NZS4020:2018
 SS 375:2015, SS 270:2015



CROSS SECTIONAL VIEW

STANDARD SPECIFICATION

Working Pressure	200Psi
Applicable Medium	Water

COMPONENT PARTS

ITEM	PARTS	MATERIAL
1	Nut	Brass
2	Compression Ring	Brass
3	Seat Retainer	DZR Brass
4	Body	Chrome-plated DZR Brass
5	Ball	Chrome-plated DZR Brass
6	Stem Seal	EPDM
7	Screw	AISI304
8	Handle	ABS

DIMENSIONS

SKU	SIZE (mm)	H (mm)	L (mm)	WEIGHT (Kg)	PCS/CTN
AVCRN1510	15 X 10	33	72	0.130	100
AVCRN1515	15 X 15	30	70	0.135	100