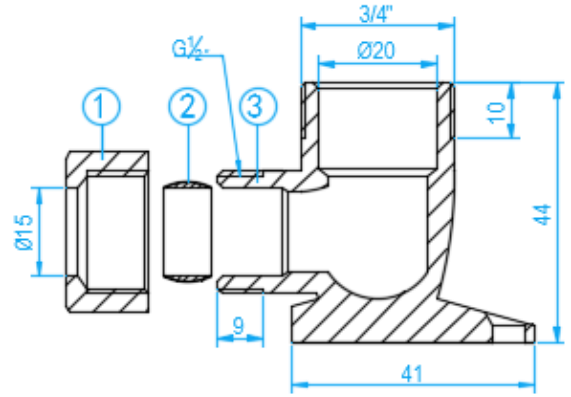


# CHROME PLATED MIXER FLANGE ELBOW



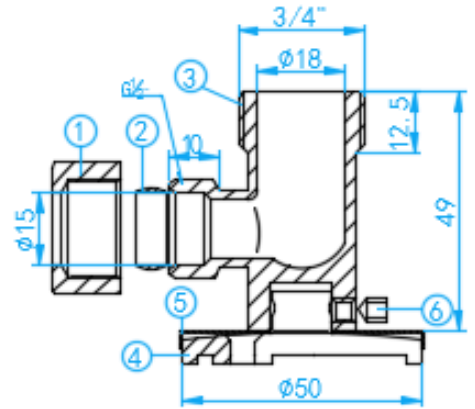
SKU: MFE



SECTION VIEW



SKU: MFEL



SECTION VIEW

## COMPONENT PARTS

ITEM	PARTS	MATERIAL
1	Nut	DZR Brass
2	Compression Ring	Brass
3	Body	DZR Brass
4	Seat	Brass
5	Cover	AISI304
6	Screw	AISI304

## SPECIFICATIONS

SKU	WEIGHT (Kg)	SET/CTN
MFE	0.359	50
MFEL	0.426	50