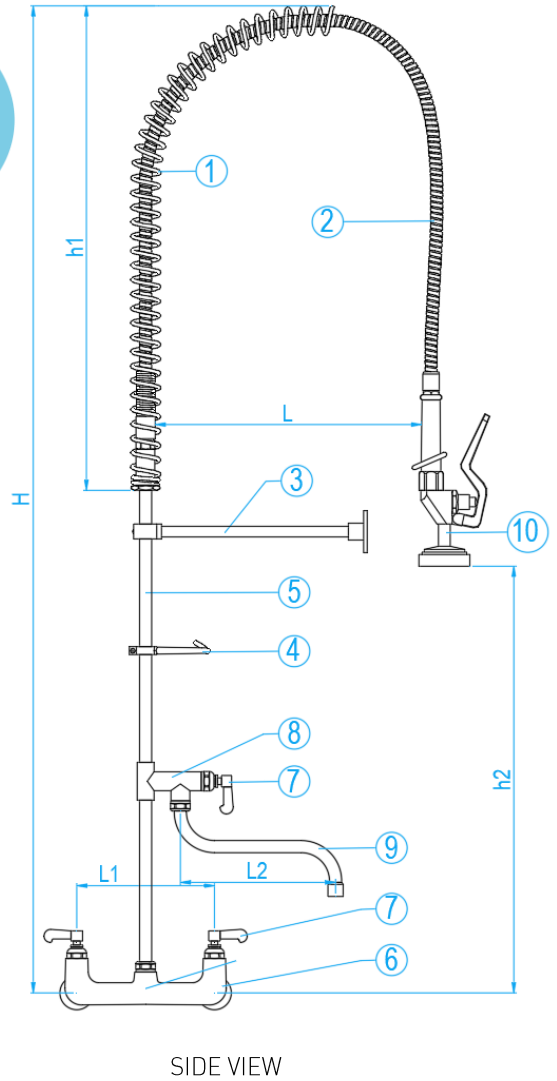
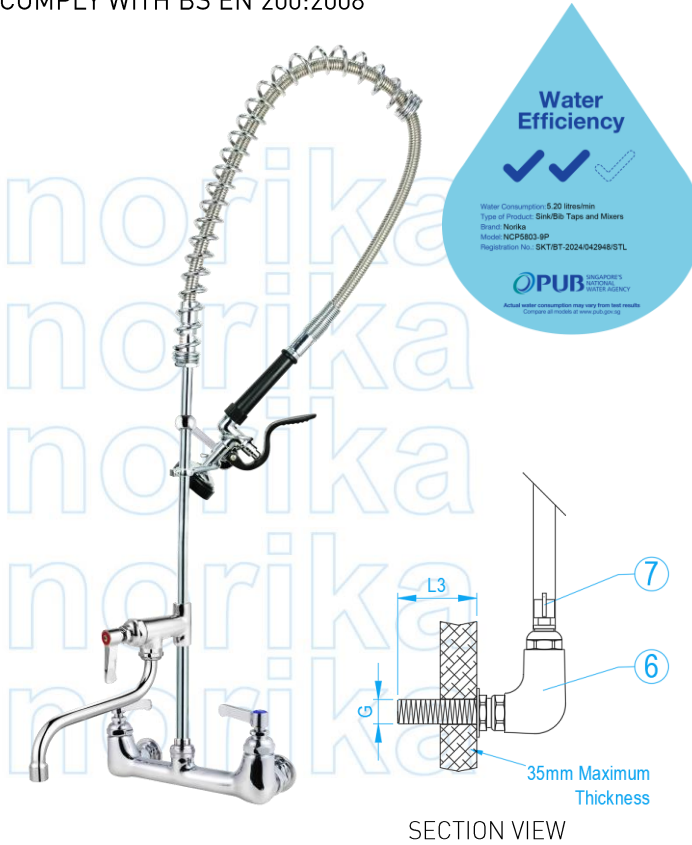


# WALL MOUNTED COMMERCIAL PRE-RINSE HOT/COLD MIXER

COMPLY WITH BS EN 200:2008



## COMPONENT PARTS

| ITEM | PARTS             | MATERIAL                         |
|------|-------------------|----------------------------------|
| 1    | Spring            | AISI201                          |
| 2    | Flex Hose         | AISI304+ TPU                     |
| 3    | Wall Bracket      | AISI201 Plating                  |
| 4    | Finger Hook       | Zinc Alloy Plating               |
| 5    | Pipe              | AISI304                          |
| 6    | Body & Piston     | Brass                            |
| 7    | Handle            | Brass                            |
| 8    | Piston            | Brass                            |
| 9    | Water Outlet Pipe | AISI201                          |
| 10   | Nozzle Assembly   | Brass + POM + Zinc Alloy Plating |

## STANDARD SPECIFICATIONS

|                     |             |
|---------------------|-------------|
| Nominal pressure    | 1.6MPa      |
| Working Medium      | Water       |
| Working Temperature | 0 °C~120 °C |

## SPECIFICATIONS

| SKU        | G<br>(inch) | H<br>(mm) | h1<br>(mm) | h2<br>(mm) | L<br>(mm) | L1<br>(mm) | L2<br>(mm) | L3<br>(mm) | WEIGHT<br>(Kg) | PCS/CTN |
|------------|-------------|-----------|------------|------------|-----------|------------|------------|------------|----------------|---------|
| NCP5803-9P | ½" BSP      | 1067      | 540        | 337        | 370       | 152        | 230        | 35         | 4.950          | 3       |