
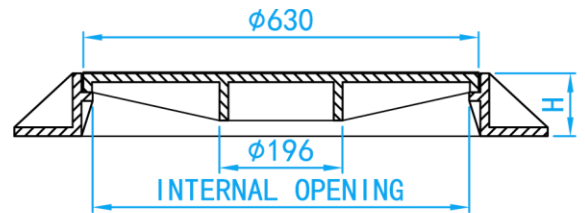


# DUCTILE IRON CIRCULAR MANHOLE COVER & FRAME

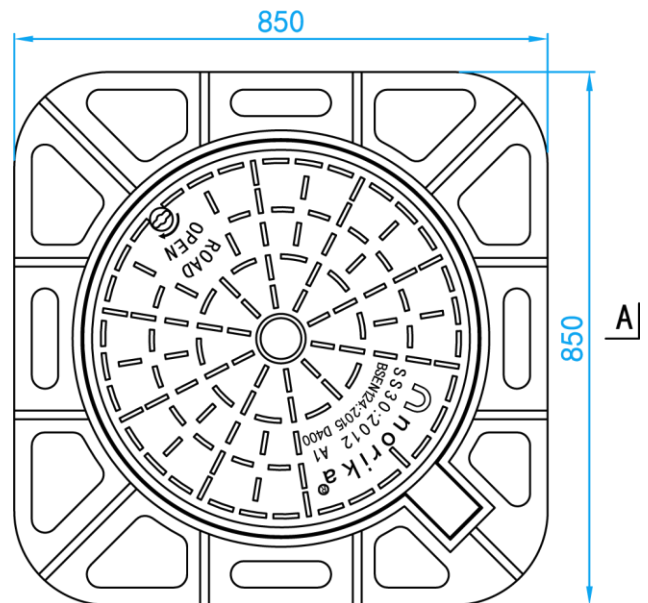


COMPLY WITH SS EN 124-2:2021  
SS 30:1999 (2012)

Type of Weight (Symbol)	SS 30	Design Load	Place of Installation	SS EN 124-2	Design Load
	A1	400KN	In carriageways of expressways, arterial, industrial roads and parking areas for all types of road vehicles.	D400	400KN



SECTION A-A



TOP VIEW

## DIMENSIONS

SKU	MATERIAL	INTERNAL OPENING (mm)	EXTERNAL (mm)	H (mm)	Remarks/ Optional
DIMC	Ductile Iron	Ø600	850 X 850	100	-