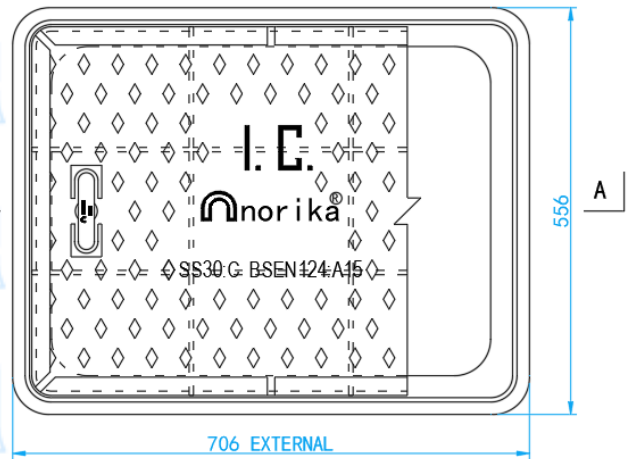
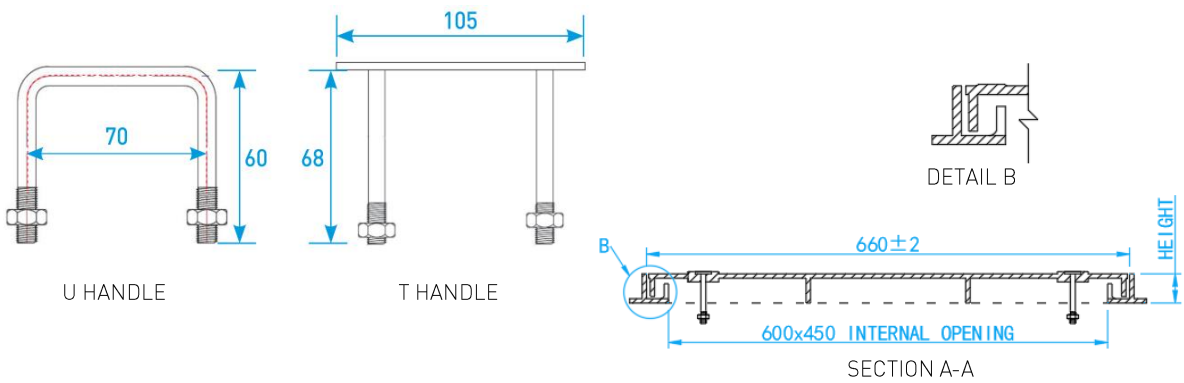


DUCTILE IRON LIGHT DUTY INSPECTION COVER & FRAME



COMPLY WITH SS EN 124-2:2021
SS 30:1999 [2012]

Type of Weight (Symbol)	SS 30	Design Load	Place of Installation	SS EN 124-2	Design Load
	C	30KN	In precincts which are inaccessible to motor vehicles.	A15	30KN



TOP VIEW

DIMENSIONS

SKU	MATERIAL	INTERNAL OPENING (mm)	EXTERNAL (mm)	HEIGHT (mm)	Remarks / Optional
DIICCS	Ductile Iron	600X450	706X556	40	"T" Or "U" Handle

* Please specify 'T' handle or 'U' handle, upon placing order.