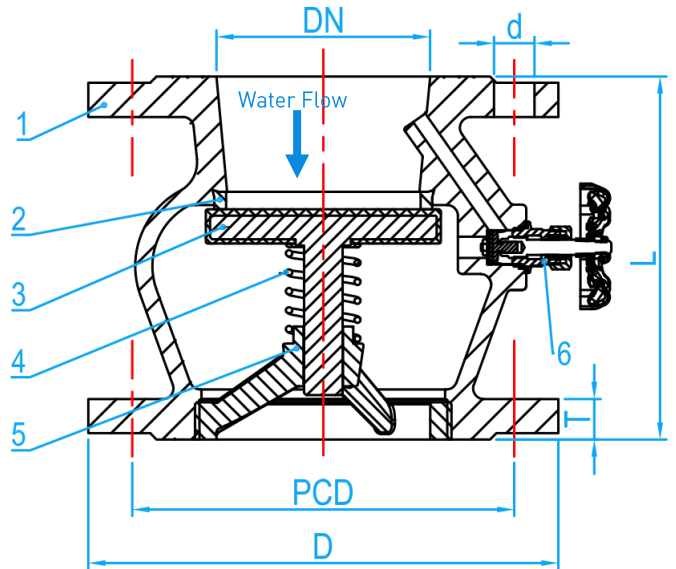
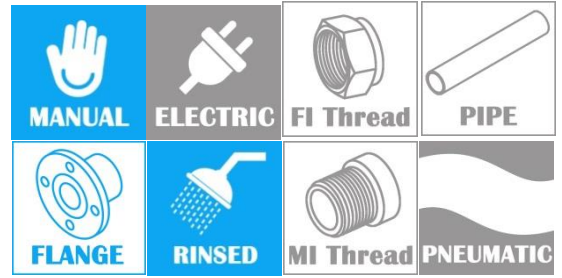


DUCTILE IRON SPRING LOADED BYPASS SILENT CHECK VALVE

COMPLY WITH BS 5153:1974
 SS 375:2015
 BS EN 545:2010



CROSS SECTIONAL VIEW

STANDARD SPECIFICATIONS

Nominal Pressure	PN16
Operating Temperature	0 ~ 80°C

COMPONENT PARTS

ITEM	PARTS	MATERIAL
1	Body	Ductile Iron
2	Valve Seat	DZR Brass
3	Disc	Ductile Iron + EPDM
4	Spring	AISI304
5	Sleeve	Ductile Iron
6	Globe Valve	Brass + EPDM

DIMENSIONS

SKU	DN (mm)	L (mm)	T (mm)	D (mm)	PCD (mm)	NOS Of BOLT HOLES	d (mm)	WEIGHT (Kg)
CVDIN100FBP	100	170	22	220	180	8	19	12.60