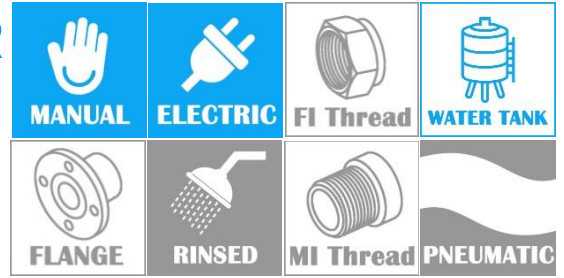


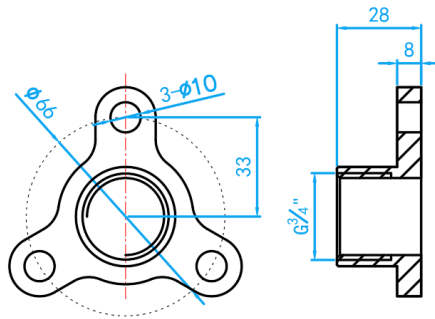
# WATER TANK LEVEL SENSOR (AISI316L)

COMPLY WITH AS/NZS 4020:2018

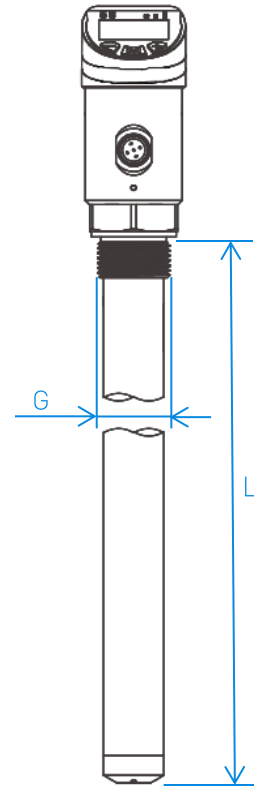


SKU: WLSN

SKU: WLSM020



WLSM020



WLSN

## CHARACTERISTIC

Full metal shell design.

Using high-brightness LED digital display, making this product can be used in various industrial occasions.

Two-key design and user-friendly menu make the product more convenient to use.

A variety of connection methods can fully meet various specific installation requirements.

The display head that can be rotated by 330° can ensure the best under different installation methods.

## DIMENSIONS

SKU	G (Inch)	L (mm)	WEIGHT (kg)	PCS/CTN
WLSN	3/4"	1000	1.280	1
WLSN1500	3/4"	1500	1.850	1