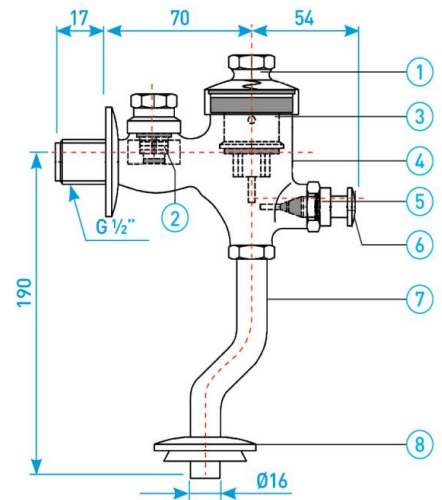
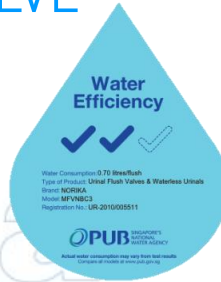
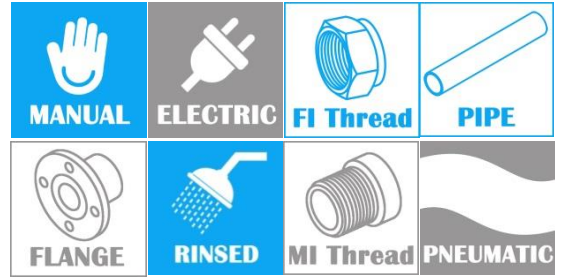
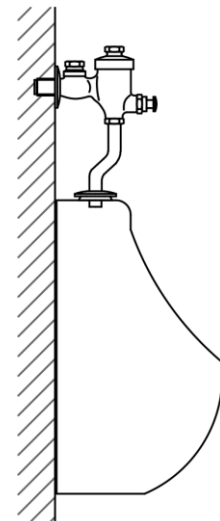


EXPOSED MANUAL OPERATED URINAL FLUSH VALVE

COMPLY WITH SS379:1996



SIDE-CROSS SECTION VIEW



INSTALLATION ASSEMBLY

CHARACTERISTIC

- Exposed type [wall mounted] flush valve with finger press activation. Chrome plated brass construction with integral stop valve.
- Consistent flush volume irrespective of water pressure.
- Integral stop / check valve. Adjustable flush volume.
- ECO water saving.

COMPONENT PARTS

ITEM	PARTS	MATERIAL
1.	Flush Delay Spring	AISI304
2.	Flow Regulator	NBR+Brass
3.	Piston	Brass
4.	Body	Brass
5.	Rubber Seal	NR
6.	Push Button	Brass
7.	Flush Pipe	Brass
8.	Chrome Washer	AISI304

STANDARD SPECIFICATIONS

SKU	WATER CONSUMPTION	DELAY TIME	PRESSURE RANGE	WEIGHT [kg]	PCS/CTN
MFVNBC3	2.5L/min	5s	0.7-7.0 Bar	0.65	40