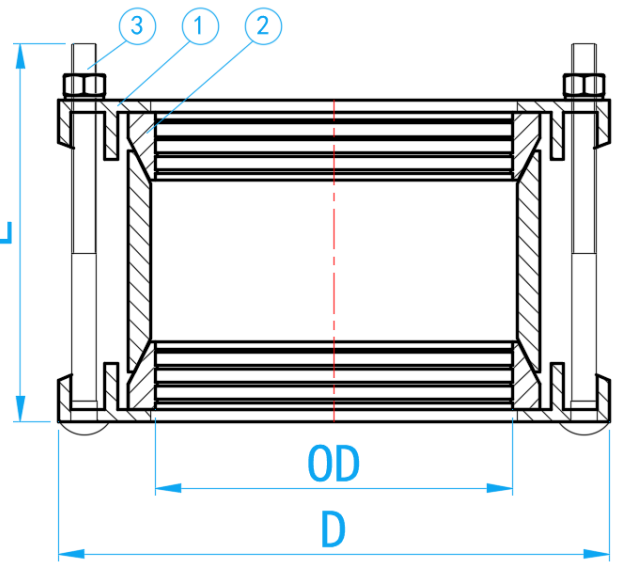


# HEAVY DUTY EPOXY COATED DUCTILE IRON FLEXIBLE COUPLING



CROSS SECTIONAL VIEW

OPERATING PRESSURE	
Nominal Pressure	PN16
Sealing Test Pressure	1.76Mpa
Strength Test Pressure	2.4Mpa

COMPONENT PARTS		
ITEM	PARTS	MATERIAL
1.	Body	Ductile Iron
2.	Seal Ring	EPDM
3.	Bolt	Galvanized Iron

## STANDARD SPECIFICATIONS

SKU	SIZE (mm)	OD (mm)	D (mm)	L (mm)	NO OF BOLT	WEIGHT (kg)
DIFC080EPC	80	98	178	M12X170	4	4.70
DIFC100EPC	100	118	200	M12X170	4	5.50
DIFC150EPC	150	170	265	M12X170	4	7.25
DIFC200EPC	200	222	330	M12X180	4	10.20
DIFC250EPC	250	274	386	M12X180	6	12.40
DIFC300EPC	300	326	439	M12X180	6	17.80
DIFC350EPC	350	378	503	M16X240	8	30.00
DIFC400EPC	400	429	553	M16X240	8	32.00