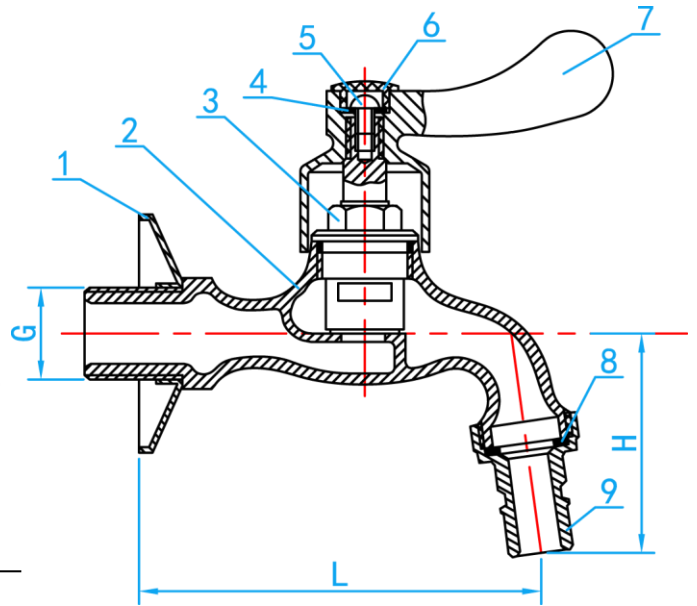
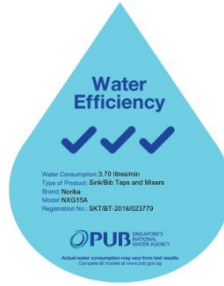


# QUICK TURN ACTION UNION TAP C/W AERATOR

COMPLY WITH BS EN200:2008  
 BSEN248:2002  
 AS/NZS4020:2005  
 SS375 PART 1



SECTION VIEW

COMPONENT PARTS

ITEM	PARTS	MATERIAL
1	Decorative cover	Stainless Steel
2	Body	Brass
3	Piston	Ceramic + Brass
4	Washer	NBR
5	Head Screw	Brass
6	Tab	ABS
7	Handle	Kirksite
8	Washer	Silica Gel
9	Outlet Joint	Brass

STANDARD SPECIFICATIONS

Nominal pressure	0.6MPa
Working Medium	Water
Working Temperature	$t \leq 90^{\circ}\text{C}$

SPECIFICATIONS

SKU	G (inch)	L (mm)	H (mm)	WEIGHT (Kg)	PCS/CTN
NXG15A	1/2" BSP	96	52	0.290	60