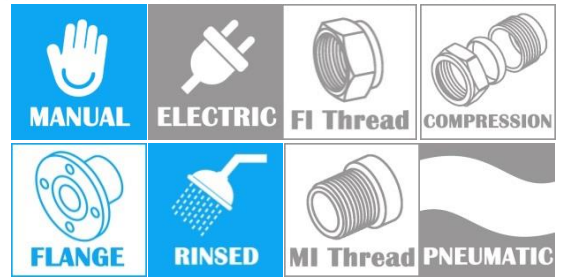
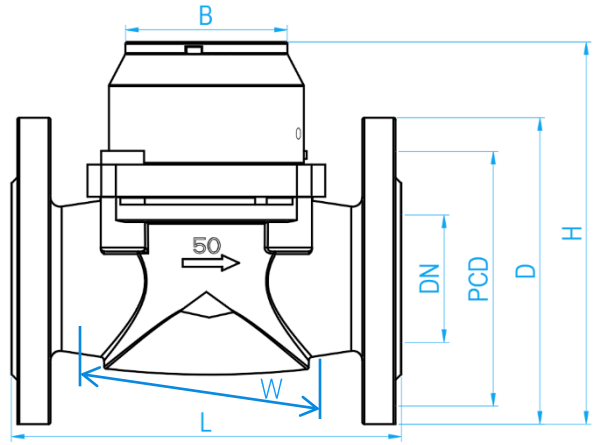


MULTI JET/ WOLTMAN DRY DIAL SMART WATER METER WITH MODBUS RTU OUTPUT (CLASS B)



COMPLY WITH BS EN 12165:2016
AS NZS 4020:2018
SS 375:2015



Wire material used: RS485 bus RVV4x (0.2-1mm²) shielded wire.

STANDARD SPECIFICATIONS

Water Temperature	0°C ≤ t ≤ 30°C
Operating Pressure	≤ 1.6Mpa
Operating Voltage	DC12V
Quiescent Current	1.0~1.3mA
Communication transmission rate	9600 B/S

COMPONENT PARTS

ITEM	PARTS	MATERIAL
1	Lid	ABS
2	Sealed Register	PC+ABS+POM
3	Communications	/
4	Body	Ductile Iron
5	Impeller	ABS
6	Flange	Ductile Iron

FLOW RATE SPECIFICATIONS

SKU	Q max Maximum flow rate [m ³ /h]	Q n Nominal flow rate [m ³ /h]	Qt Transitional flow rate [m ³ /h]	Q min Minimum flow rate [m ³ /h]	Maximum count
WMSN050F	31.250	25.000	0.500	0.313	999999
WMSN065F	50.000	40.000	0.800	0.500	999999
WMSN080F	78.750	63.000	1.260	0.788	999999
WMSN100F	125.000	100.000	2.000	1.250	999999
WMSN125F	200.000	160.000	3.200	2.000	999999
WMSN150F	312.500	250.000	5.000	3.125	999999
WMSN200F	500.000	400.000	8.000	5.000	999999

DIMENSIONS

SKU	DN (mm)	L (mm)	H (mm)	W (mm)	B (mm)	CONNECTING FLANGE			WEIGHT (kg)	PCS/CTN
						D	PCD	N*d		
WMSN050F	50	200	255	170	50	165	125	4*M16	11.10	1
WMSN065F	65	200	265	185	50	185	145	4*M16	11.70	1
WMSN080F	80	225	270	198	50	200	160	8*M16	13.50	1
WMSN100F	100	250	275	220	50	220	180	8*M16	15.10	1
WMSN125F	125	250	290	250	50	245	210	8*M16	17.70	1
WMSN150F	150	300	350	285	50	285	240	8*M20	37.00	1
WMSN200F	200	350	370	340	50	340	295	8*M20	44.80	1

*1) Ensure water meter is installed in the correct water flow direction.

2) Always ensure to select the correct size and spec for the meter.

3) All of the above water meters are only suitable to be installed in the horizontal position. Failing to comply will result in damaging the meter and warranty will be voided.

4) Exclusively use in indoors installation.

*Note: The tolerance for L is ±5%.