

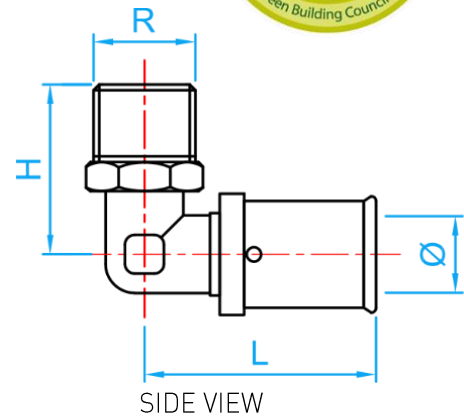
# PEX PRESS-FIT FITTINGS (U PROFILE)



COMPLY WITH BS EN ISO 21003-1:2008  
 BS EN ISO 21003-3:2008  
 BS EN ISO 21003-5:2008  
 BS EN 12165:2016  
 AS/NZS 4020:2005  
 SS 375:2015



## F5 MI ELBOW



### DIMENSIONS

SKU	SIZE (mm x inch)	Ø (mm)	R BSPT (inch)	L (mm)	H (mm)	WEIGHT (kg)	PCS/CTN
PEXF5MIE01616	16 × 1/2"	11.8	1/2"	38.5	31.5	0.061	200
PEXF5MIE01620	16 × 3/4"	11.8	3/4"	41.0	33.5	0.086	160
PEXF5MIE01625	16 × 1"	11.8	1"	45.0	35.5	-	-
PEXF5MIE02016	20 × 1/2"	15.8	1/2"	38.5	33.5	0.074	192
PEXF5MIE02020	20 × 3/4"	15.8	3/4"	41.0	35.5	0.096	120
PEXF5MIE02025	20 × 1"	15.8	1"	45.0	37.5	-	-
PEXF5MIE02516	25 × 1/2"	19.8	1/2"	45.0	36.0	0.108	80
PEXF5MIE02520	25 × 3/4"	19.8	3/4"	48.0	37.0	0.126	96
PEXF5MIE02525	25 × 1"	19.8	1"	52.0	39.0	0.163	96
PEXF5MIE03220	32 × 3/4"	25.8	3/4"	48.5	42.0	-	-
PEXF5MIE03225	32 × 1"	25.8	1"	52.0	43.0	0.200	64
PEXF5MIE03232	32 × 1 1/4"	25.8	1 1/4"	57.0	46.0	0.299	64
PEXF5MIE04025	40 × 1"	31.8	1"	68.0	42.0	0.295	40
PEXF5MIE04032	40 × 1 1/4"	31.8	1 1/4"	71.0	44.5	0.352	30
PEXF5MIE05025	50 × 1"	40.8	1"	68.0	44.5	-	-
PEXF5MIE05040	50 × 1 1/2"	40.8	1 1/2"	75.0	50.0	0.479	24
PEXF5MIE05050	50 × 2"	40.8	2"	82.0	53.5	-	-
PEXF5MIE06340	63 × 1 1/2"	50.7	1 1/2"	98.0	55.0	-	-
PEXF5MIE06350	63 × 2"	50.7	2"	105.0	60.0	-	-