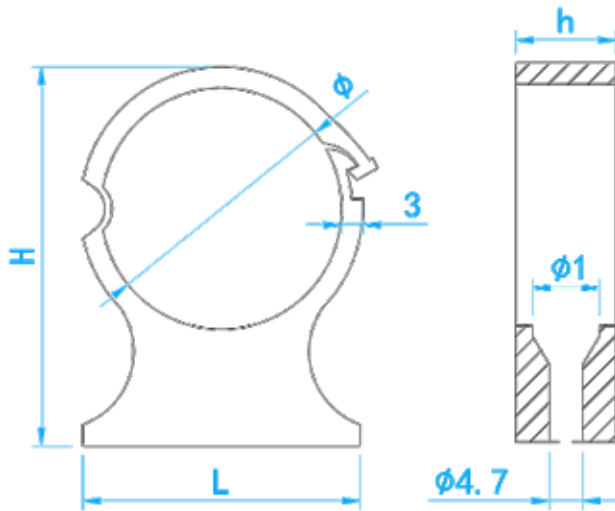
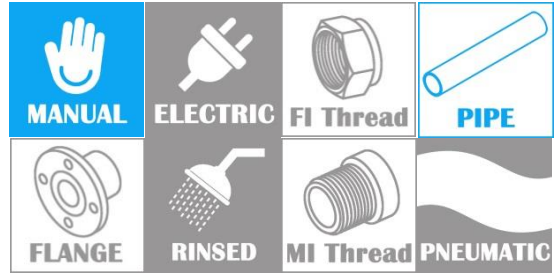
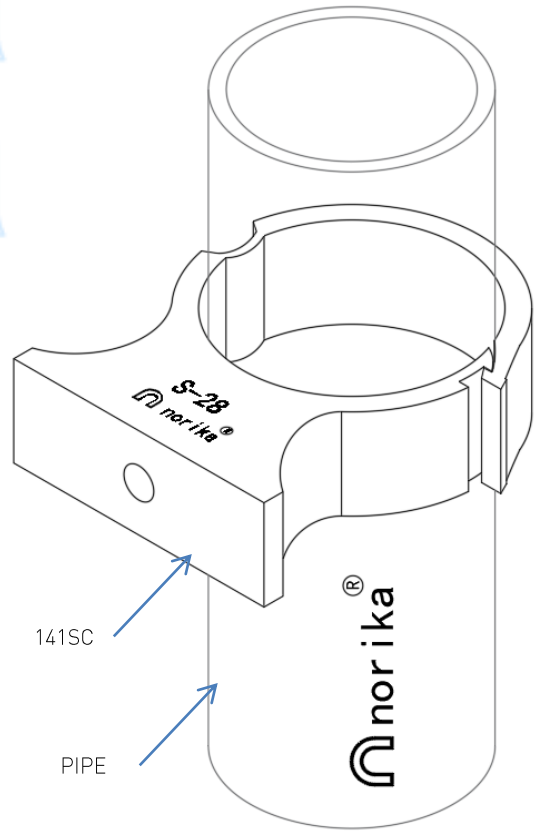


POLYPROPYLENE SHACKLE CLIP



Side View



INSTALLATION ASSEMBLY

DIMENSIONS							APPLICABLE PIPE SIZE			
SKU	SIZE (mm)	Ø (mm)	Ø1 (mm)	L (mm)	H (mm)	h (mm)	S/STEEL COPPER (mm)	SS141 UPVC (mm)	WEIGHT (kg)	PCS/CTN
141SC010	15	15.5	9.0	20.2	32.0	11.5	15	-	0.0003	1500
141SC015	20	22.4	9.0	27.5	39.5	11.5	22	21.2	0.0048	1000
141SC020	25	26.7	9.0	32.0	46.0	14.5	-	26.6	0.0084	600
141SC025	28	28.0	9.0	33.2	49.0	14.5	28	-	0.0095	-
141SC028	35	34.2	9.5	39.0	53.5	14.5	35	33.4	0.0110	1000