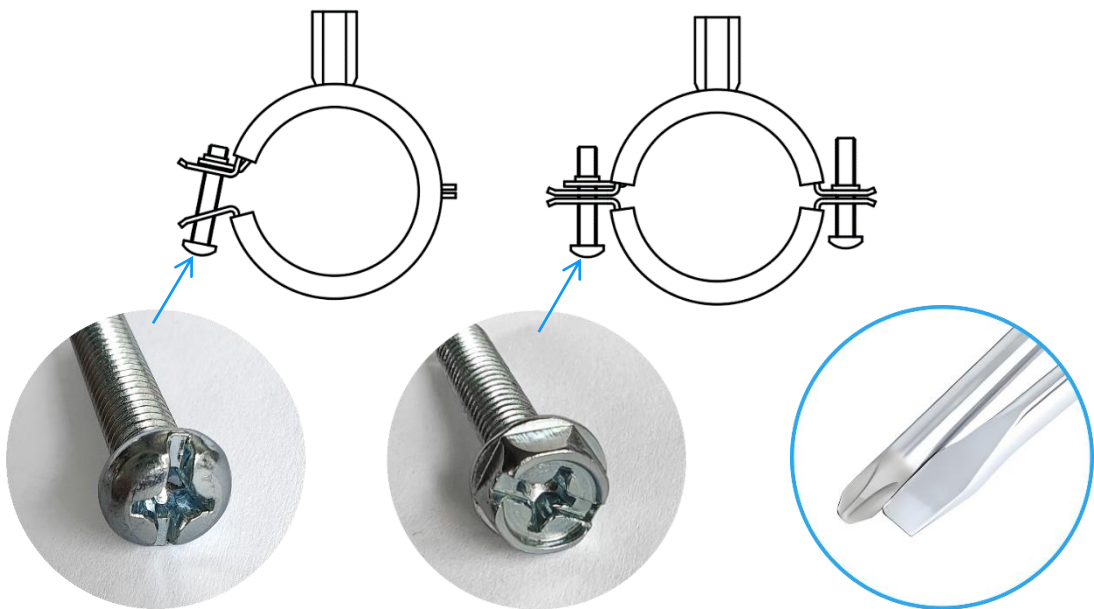
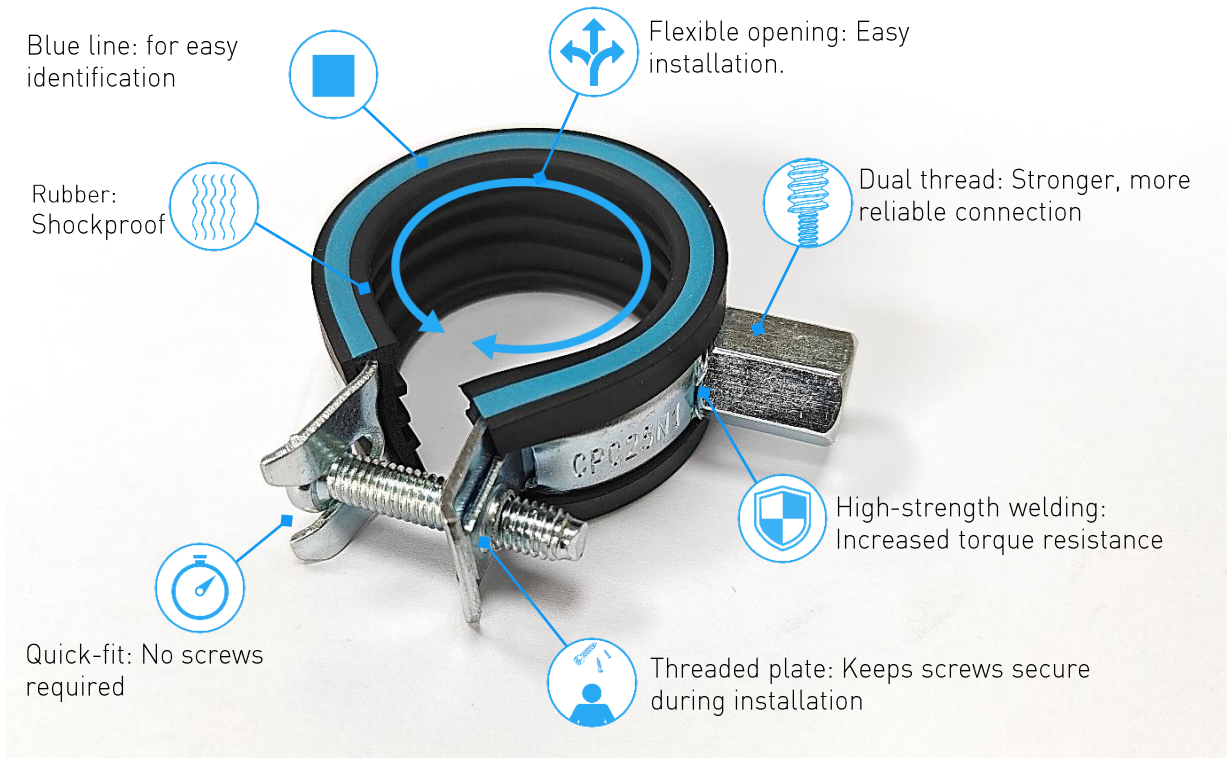


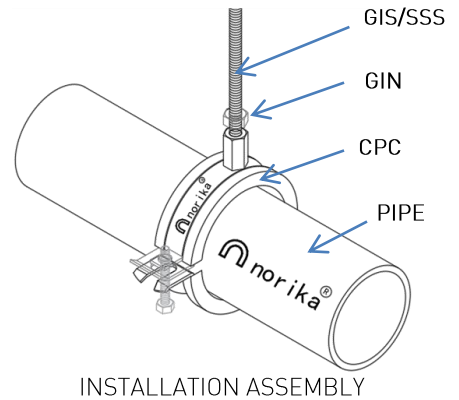
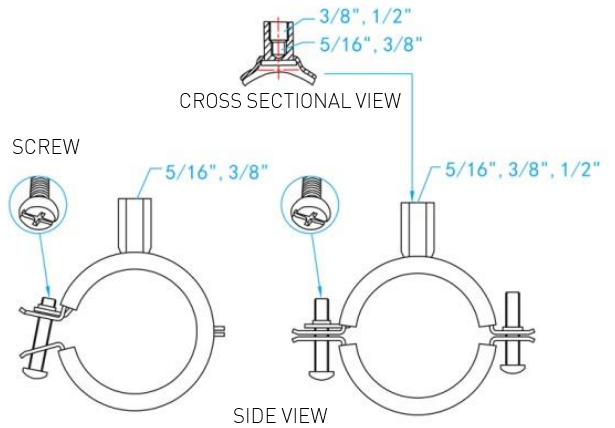
SS304 INSULATED COPPER PIPE CLAMP

Ideal for general-purpose applications, offering excellent corrosion resistance in most environments.



Universal fit for all screwdrivers

SS304 INSULATED COPPER PIPE CLAMP



| STANDARD SPECIFICATIONS | |
|-------------------------|---|
| Materials | AISI304 |
| Connection | 5/16" & 3/8" & 1/2" [Projection Welded] |
| Screw | M8-DIN933-8.8 |
| Acoustic Insulation | 26dB [EMPA Nr 179143] |
| Type Of Rubber | EPDM, 53 Shore ,5mm thick |

| STANDARD SPECIFICATIONS | | | APPLICABLE PIPE SIZE | | | | | | | | | |
|-------------------------|---------------|--------------|----------------------|-----------------|------------|------------|-----------------------|---------------------|----------|----------|-------------|---------|
| SKU | OD RANGE (mm) | CONNECTION | S/STEEL COPPER (mm) | SS141 UPVC (mm) | VP/VU (mm) | SS213 (mm) | HUBLESS CASTIRON (mm) | EPOXY/GI STEEL (mm) | PPR (mm) | PEX (mm) | WEIGHT (kg) | PCS/CTN |
| CPC010N1-304 | 15-18 | 5/16" & 3/8" | 15 | - | 13 | - | - | - | - | 16 | 0.060 | 300 |
| CPC015N1-304 | 20-23 | 5/16" & 3/8" | 22 | 16 | 16 | - | - | 15 | 20 | 20 | 0.059 | 250 |
| CPC020N1-304 | 25-29 | 5/16" & 3/8" | 25 | 20 | 20 | - | - | 20 | 25 | 25 | 0.070 | 250 |
| CPC025N1-304 | 31-36 | 5/16" & 3/8" | 35 | 25 | 25 | 35 | - | 25 | 32 | 32 | 0.076 | 200 |
| CPC035N1-304 | 37-43 | 5/16" & 3/8" | 42 | 30 | 30 | 42 | - | 35 | 40 | 40 | 0.082 | 150 |
| CPC042N1-304 | 47-54 | 5/16" & 3/8" | 54 | - | 42 | 55 | - | 42 | 50 | 50 | 0.099 | 100 |
| CPC050N1-304 | 55-63 | 5/16" & 3/8" | 67 | 50 | 50 | - | 50 | 50 | 63 | 63 | 0.170 | 100 |
| CPC065N1-304 | 66-77 | 5/16" & 3/8" | 76 | - | 65 | - | - | 65 | 75 | 75 | 0.185 | 100 |
| CPC080N1-304 | 82-90 | 3/8" & 1/2" | - | - | - | 80 | 80 | 80 | - | - | 0.280 | 50 |
| CPC100N1-304 | 108-115 | 3/8" & 1/2" | 108 | 100 | 100 | 100 | 100 | 100 | - | - | 0.315 | 50 |
| CPC125N1-304 | 139-142 | 3/8" & 1/2" | - | - | 125 | - | 125 | 125 | - | - | 0.355 | 25 |
| CPC150N1-304 | 159-169 | 3/8" & 1/2" | 159 | - | - | 150 | 150 | 150 | 150 | - | 0.420 | 20 |
| CPC200N1-304 | 215-220 | 3/8" & 1/2" | - | - | 200 | - | 200 | - | - | - | 0.472 | 10 |
| CPC250N1-304 | 267-277 | 3/8" & 1/2" | - | - | - | - | 250 | - | - | - | 0.576 | 20 |
| CPC300N1-304 | 311-321 | 3/8" & 1/2" | - | - | - | - | 300 | - | - | - | 0.648 | 15 |
| CPC350N1-304 | 355-365 | 3/8" & 1/2" | - | - | - | - | 360 | - | - | - | 0.723 | 10 |