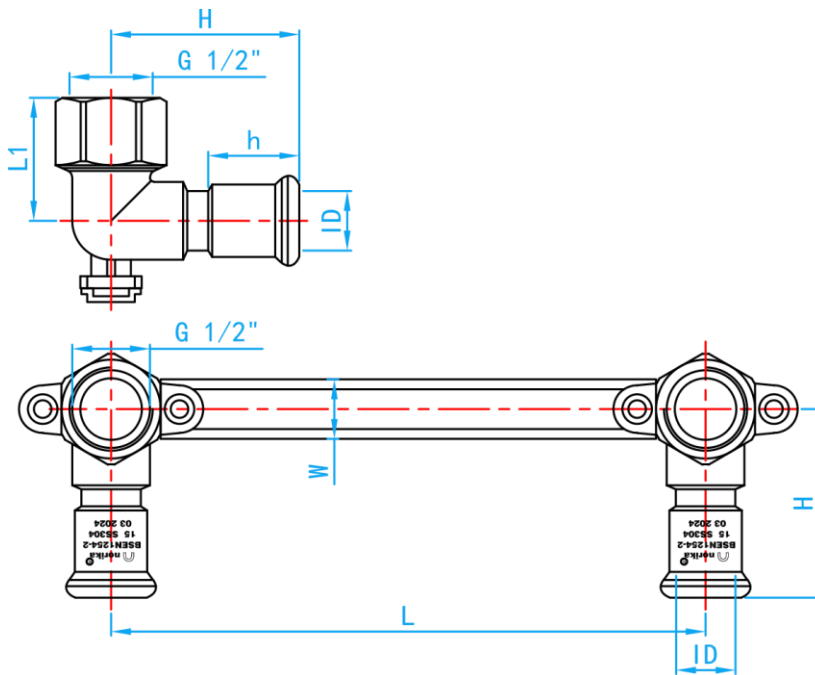


# STAINLESS STEEL 304 PRESS FIT FITTINGS (M PROFILE)

COMPLY WITH BSEN1254-2: 1998



## DOUBLE ELBOW WALL MOUNTED PLATE



SIDE VIEW

DIMENSIONS

SKU	SIZE ID×G (mm x inch)	L (mm)	L1 (mm)	H (mm)	h (mm)	W (mm)	WEIGHT (kg)	PCS/CTN
SSPFNFE015S	15×1/2" BSP	150	31	47.5	23	15	0.200	40