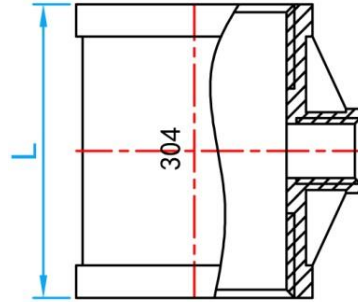
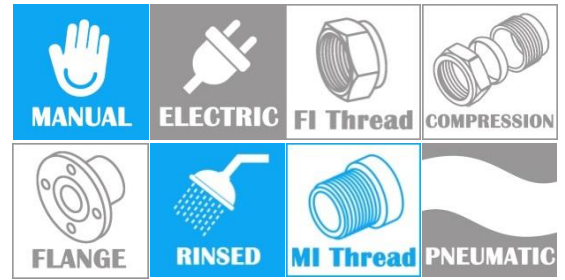


STAINLESS STEEL 304 THREADED FITTINGS

REDUCING TEE

COMPLY WITH BSEN1254-2:1998
AS/NZS 4020:2018



CROSS SECTIONAL VIEW

DIMENSIONS

SKU	BSPT THREAD (inch)	L (mm)	WEIGHT (kg)	PCS/CTN
SS304RT02015	3/4" × 1/2"	59	0.1279	150
SS304RT02515	1" × 1/2"	65	0.1888	100
SS304RT02520	1" × 3/4"	73	0.1970	100
SS304RT03515	1 3/4" × 1/2"	66	0.2336	70
SS304RT03520	1 3/4" × 3/4"	71	0.2570	60
SS304RT03525	1 3/4" × 1"	83	0.2866	60
SS304RT04215	1 1/2" × 1/2"	70	0.2994	50
SS304RT04220	1 1/2" × 3/4"	76	0.3224	50
SS304RT04225	1 1/2" × 1"	82	0.3580	50
SS304RT04235	1 1/2" × 1 3/4"	91.5	0.4666	40
SS304RT05015	2" × 1/2"	72	0.3768	42
SS304RT05020	2" × 3/4"	76	0.4112	38
SS304RT05025	2" × 1"	84	0.4613	36
SS304RT05035	2" × 1 3/4"	92	0.5067	36
SS304RT05042	2" × 1 1/2"	100	0.5550	36