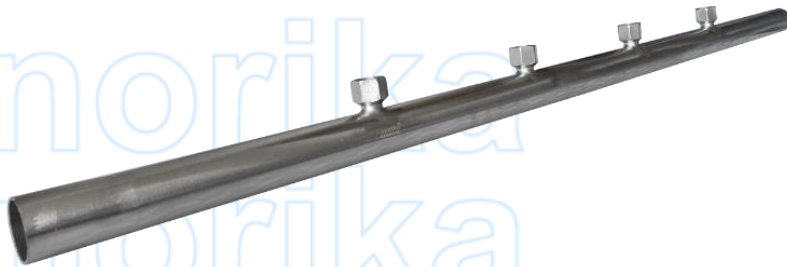


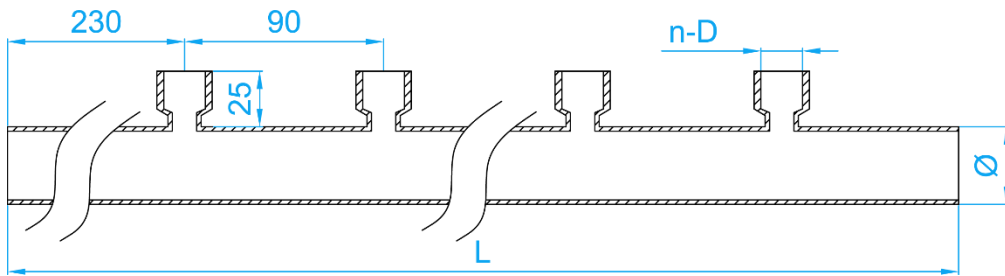
# STAINLESS STEEL 316L PRESSFIT SINGLE SIDED MANIFOLDS



COMPLY WITH BSEN1254-2: 1998

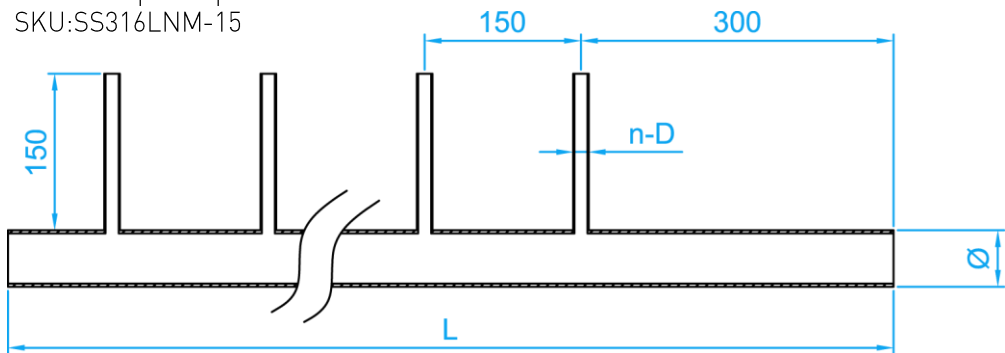


TYPE A: Pipe x FI  
SKU: SS316LNM-15F



CROSS SECTIONAL VIEW

TYPE B: Pipe x Pipe  
SKU:SS316LNM-15



CROSS SECTIONAL VIEW

\* Size could be customized.

DIMENSIONS

SKU	TYPE	Ø×Thickness (mm)	n-D	L (mm)	WEIGHT (kg)
SS316LNM03515FX04	A	35×1.5	4NOS -G1/2" FI	1000	1.450
SS316LNM05015X04	B	54×1.5	4NOS-Ø15×0.6	850	2.157
SS316LNM05015X05	B	54×1.5	5NOS-Ø15×0.6	1000	2.382