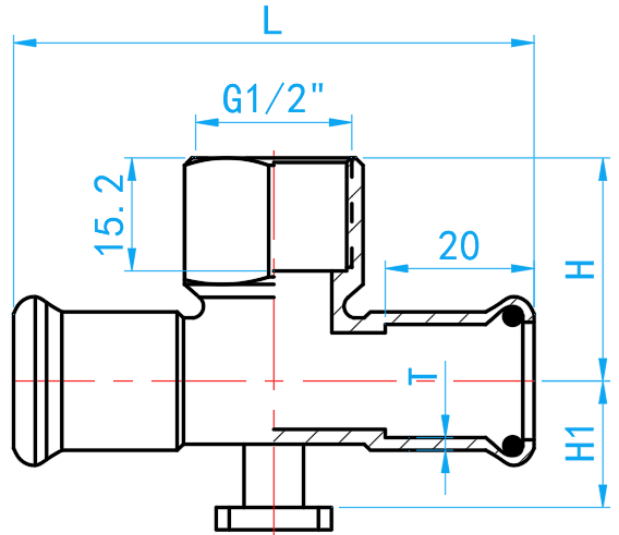


STAINLESS STEEL 316L PRESS FIT FITTINGS (M PROFILE)

COMPLY WITH BSEN1254-2: 1998



Wall Plate FI Tee



CROSS SECTIONAL VIEW

DIMENSIONS

SKU	SIZE (mm x mm x inch)	L (mm)	H (mm)	H1 (mm)	T (mm)	WEIGHT (kg)	PCS/CTN
SS316LPFNFT015	15×15×1/2" BSP	70	32	20	1.5	0.093	140