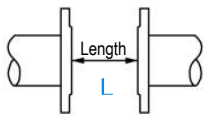
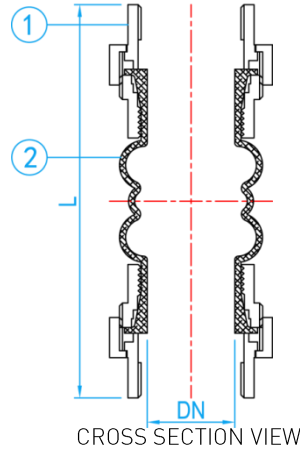
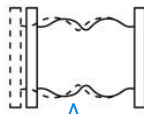


TWIN SPHERE UNION RUBBER EXPANSION JOINT

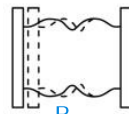
COMPLY WITH BS4504: SECTION 3.2:1989



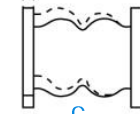
Length=Pipe flange spacing



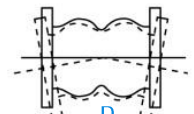
Axial elongation



Axial compression



Lateral displacement



Angular deflection

STANDARD SPECIFICATIONS

Nominal Pressure	PN16
Scaling Test Pressure	1.76Mpa
Strength Test Pressure	2.4Mpa
Operating Temperature	-5 ~ +85°C

COMPONENT PARTS

ITEM	PARTS	MATERIAL
1	Flanges	Galvanized Iron Optional AISI304
2	Elastomer	EPDM

DIMENSIONS

SKU	SIZE (mm)	L (mm)	A (mm)	B (mm)	C (mm)	D a1+a2	WEIGHT (kg)
UEJ015 / UEJ015S	15	200	5~6	22	22	45°	0.75
UEJ020 / UEJ020S	20	200	5~6	22	22	45°	0.90
UEJ025 / UEJ025S	25	200	5~6	22	22	45°	1.10
UEJ035 / UEJ035S	32	200	5~6	22	22	45°	1.30
UEJ042 / UEJ042S	40	200	5~6	22	22	45°	1.80
UEJ050 / UEJ050S	50	200	5~6	22	22	45°	2.00
UEJ065 / UEJ065S	65	265	8~10	24	24	45°	4.00
UEJ080 / UEJ080S	80	285	8~10	24	24	45°	6.00

*Stock code ending with 'S' denotes, stainless steel material type.