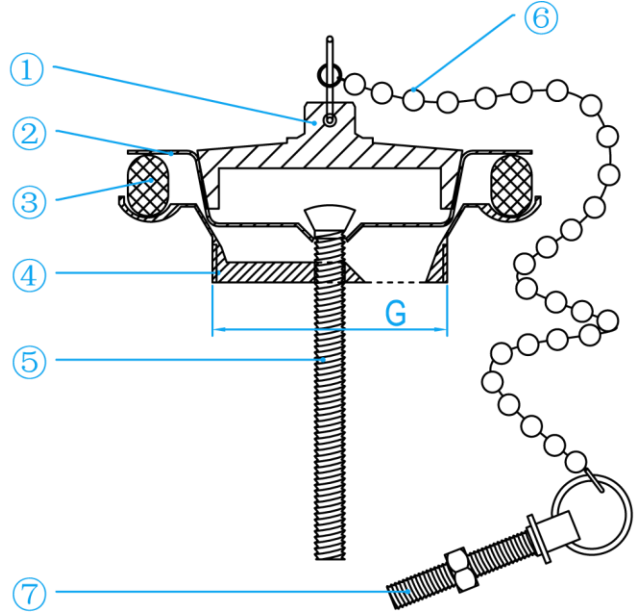


WASTE PLUG



SECTION VIEW

COMPONENT PARTS

ITEM	PARTS	MATERIAL
1	Plug	Rubber
2	Cover	AISI304
3	O-ring	Rubber
4	Seat	Brass Or AISI304
5	Screw	AISI304
6	Chain	Brass Or AISI304
7	Screw	AISI304

SPECIFICATIONS

SKU	G (mm)	Long Screw	Short Screw	Chain Length (mm)	WEIGHT (Kg)	PCN/CTN		
WP35	1-1/4"	M6x65mm	M5x30mm	250	-	150		
WP35SS304		M6x70mm			0.090			
WP42	1-1/2"	M6x65mm			M5x30mm	250	0.173	100
WP42SS304		M6x70mm					0.127	