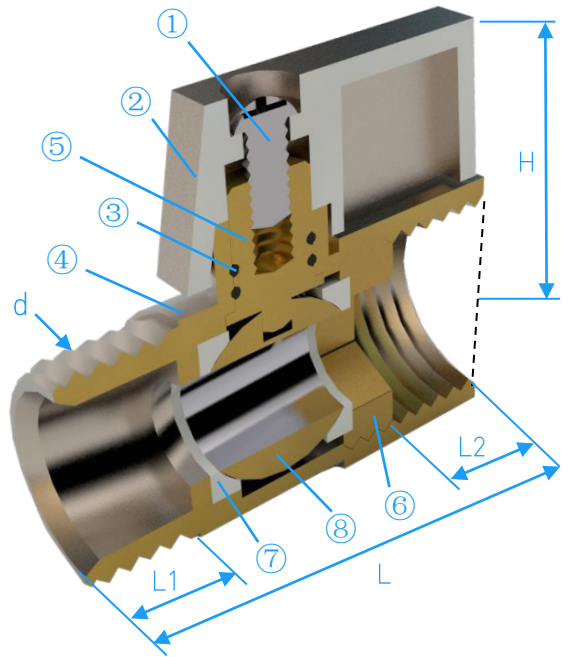
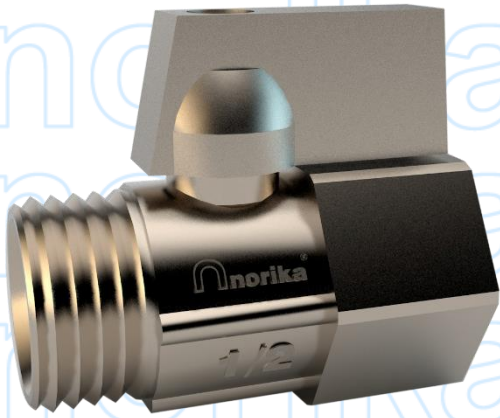


MINI BALL VALVE MXF

COMPLY WITH BSEN12165:2016
 AS/NZS4020:2005
 BSEN13828:2003
 SS375:2015



CROSS SECTIONAL VIEW

COMPONENT PARTS

| ITEM | PARTS | MATERIAL |
|------|---------------|-------------------------|
| 1 | Screw | AISI304 |
| 2 | Handle | Aluminum Alloy |
| 3 | O-ring | EPDM |
| 4 | Body | Nickel-plated DZR Brass |
| 5 | Stem | DZR Brass |
| 6 | Seal Retainer | DZR Brass |
| 7 | Seat | Teflon |
| 8 | Ball | Chrome-plated DZR Brass |

STANDARD SPECIFICATION

| | |
|-------------------|--------|
| Working Pressure | 200Psi |
| Applicable Medium | Water |

DIMENSIONS

| SKU | SIZE (mm) | H (mm) | d (inch) | L (mm) | L1 (mm) | L2 (mm) | WEIGHT (kg) | PCS/CTN |
|-----------|-----------|--------|----------|--------|---------|---------|-------------|---------|
| MBVCRN006 | 7 | 26 | ¼" BSP | 46 | 10 | 10 | 0.0700 | 280 |
| MBVCRN015 | 15 | 29 | ½" BSP | 45 | 11 | 11 | 0.0950 | 200 |
| MBVCRN020 | 20 | 34 | ¾" BSP | 55 | 14 | 14 | 0.1697 | 100 |
| MBVCRN025 | 25 | 36 | 1" BSP | 62 | 16 | 15 | 0.2452 | 100 |