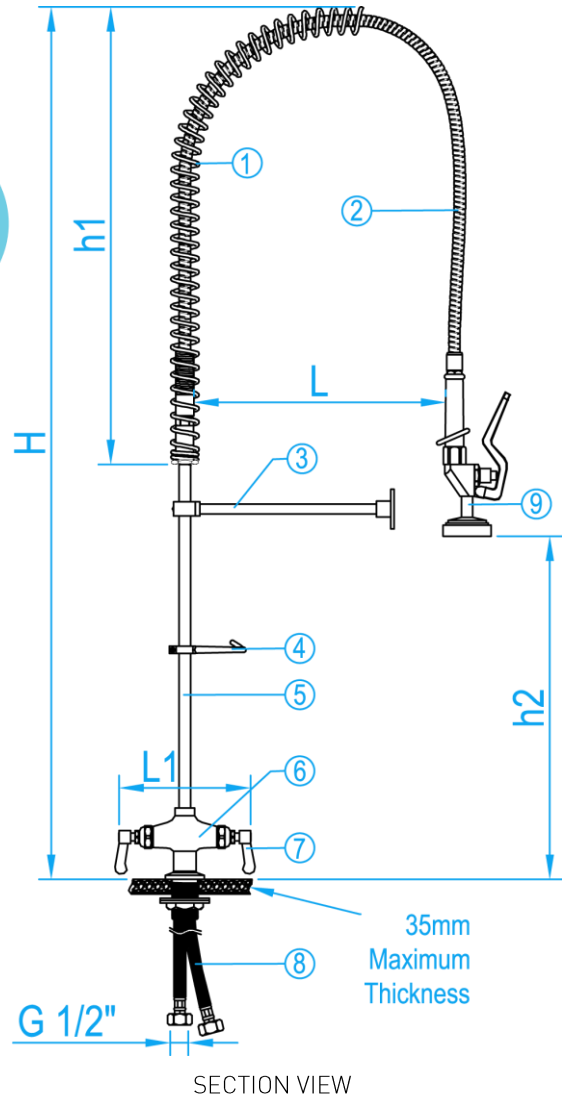


# COMMERCIAL PRE-RINSE HOT/COLD MIXER

COMPLY WITH BS EN 200:2008  
BS EN 248:2002  
AS/NZS 4020:2005



## COMPONENT PARTS

ITEM	PARTS	MATERIAL
1	Spring	AISI201
2	Flex Hose	AISI304 + TPU
3	Wall Bracket	AISI201 Plating
4	Finger Hook	Zinc Alloy Plating
5	Pipe	AISI304
6	Body & Piston	Brass + Ceramics
7	Handle	Zinc Alloy Plating
8	Hose	AISI304
9	Nozzle Assembly	Brass + POM + Zinc Alloy Plating

## STANDARD SPECIFICATIONS

Nominal pressure	1.6MPa
Working Medium	Water
Working Temperature	0 °C~120 °C

## SPECIFICATIONS

SKU	H (mm)	h1 (mm)	h2 (mm)	L (mm)	L1 (mm)	WEIGHT (Kg)	PCS/CTN
NCP5802A	1235	640	457	408	178	4.3	3