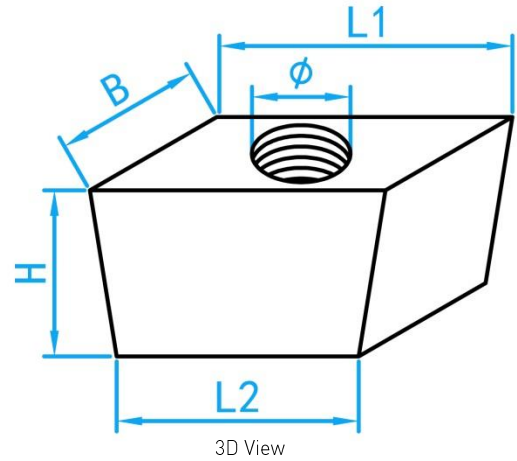


# GALVANIZED IRON WEDGE NUT



## APPLICATIONS:

For the installation of service hangers in Norika Strut Channels.

## DIMENSIONS

SKU	Thread Size $\emptyset$	L1 (mm)	L2 (mm)	B (mm)	H (mm)	WEIGHT (kg)	PCS/CTN
WN38	3/8"	23.25 $\pm$ 0.5	19.12 $\pm$ 0.5	11.5 $\pm$ 0.5	13.18 $\pm$ 0.5	0.02	1000
WNM10	M10	23.25 $\pm$ 0.5	19.12 $\pm$ 0.5	11.5 $\pm$ 0.5	13.18 $\pm$ 0.5	0.02	1000